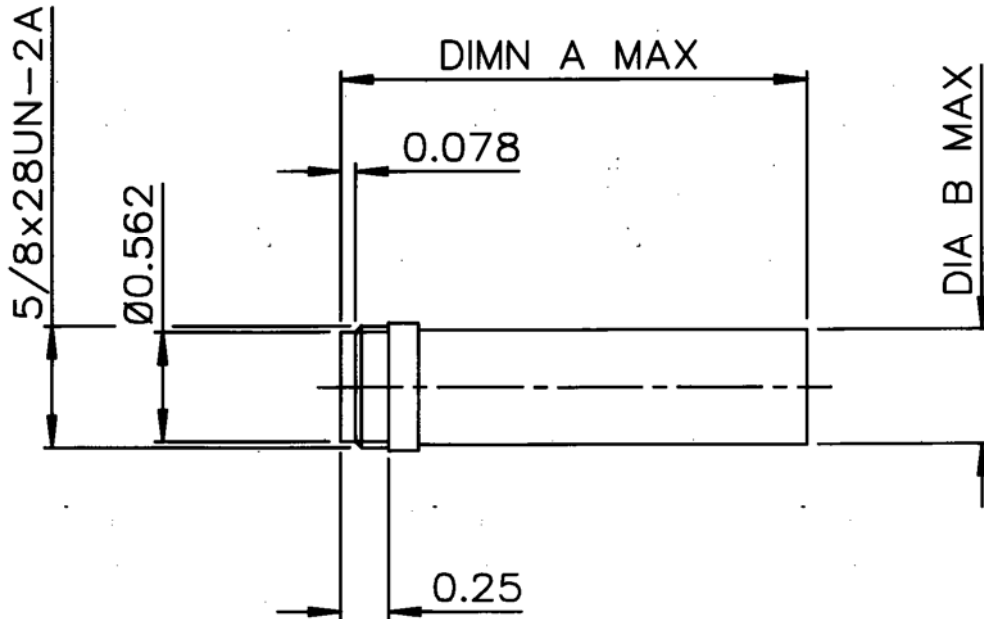


DRG. No.
BL/D 1077/01-08 INST

THIRD ANGLE
PROJECTION

USED ON

OBSOLESCE
MAINTENANCE RANGE ONLY



DRG No	NATO STOCK No	STYLE	DIMN A	DIA B	CONTENT GRMS	DESICCANT
BL/D1077/01	4440-99-014-2496	DT1	1.312	0.590	2 MIN	BEADED SILICA GEL
BL/D1077/02	4440-99-014-2497	DT2	2.312	0.590	4 MIN	
BL/D1077/03	4440-99-014-2498	DT3	3.312	0.645	6 MIN	
BL/D1077/04	4440-99-014-2499	DT4	4.312	0.645	8 MIN	
BL/D1077/05	4440-99-618-0153	DT1MS	1.312	0.590	2 MIN	MOLECULAR SIEVES
BL/D1077/06	4440-99-142-5277	DT2MS	2.312	0.590	4 MIN	
BL/D1077/07	4440-99-112-9551	DT3MS	3.312	0.645	6 MIN	
BL/D1077/08	4440-99-112-2752	DT4MS	4.312	0.645	8 MIN	

NOTE: BODY COLOUR INDICATES THE TYPE OF DESICCANT USED,
GREEN - BEADED SILICA GEL, BLUE - MOLECULAR SIEVES.

MATERIAL ALUM ALLOY	PROTECTIVE FINISH ANODISED	REDRAWN-DIA B ADDED	5161	10	4/12/97
		BODY COLOUR ADDED	4923	9	12/6/96
		NSN CHANGED-DT3MS	4069	8	28/2/92
		OBSOLESCE	2778	7	7/8/84
EST. WT. —		CHANGE	MOD.No.	ISSUE	DATE
DIMNS. IN INS	SURFACE ROUGH	TOLERANCES ±0.015			
SCALE 1 : 1	—				

BROWNELL LIMITED LONDON N.W.10

DRAWN
LJ

CHKD.
A

SUB.CONT. —	SUB.CONT. DRG. REF. —
TITLE DESICCANT CONTAINER DEHUMIDIFIER (TUBULAR)	DRAWING No. BL/D 1077/01-08 INST