

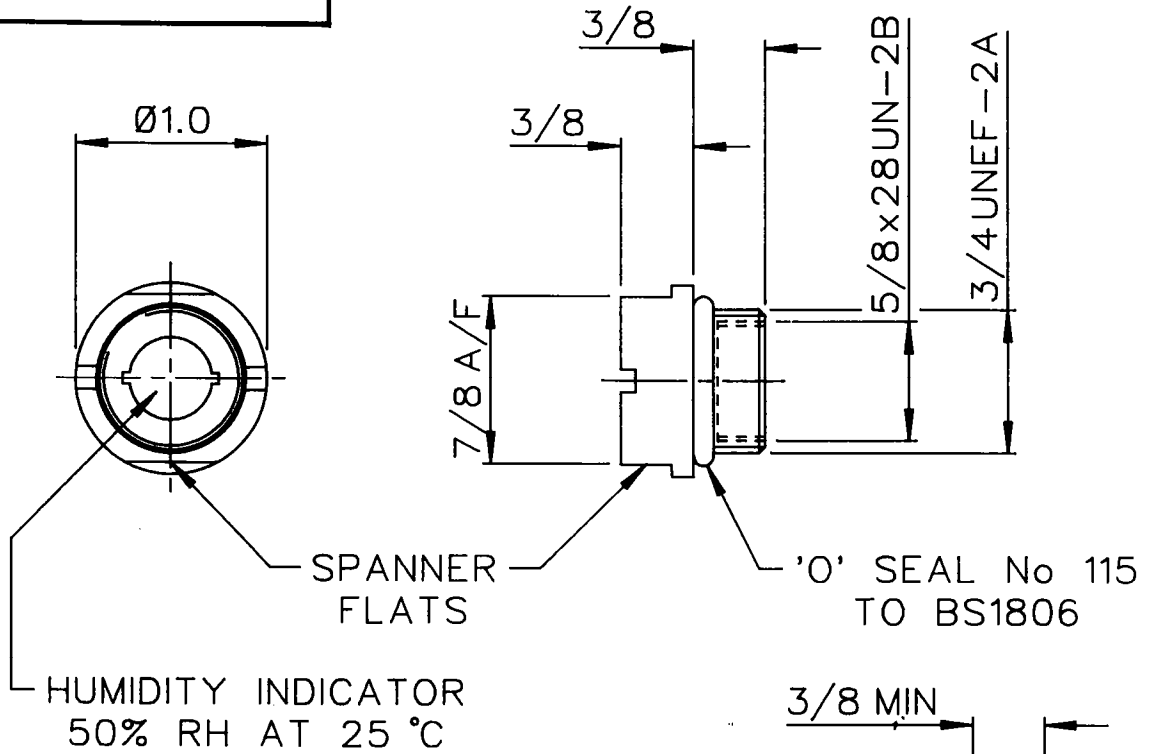
THIS DESIGN IS THE PROPERTY OF BROWNELL LTD AND MAY NOT BE COPIED OR REPRODUCED WITHOUT THEIR PRIOR WRITTEN PERMISSION

DRG No
BL/D 1080 INST

USED ON

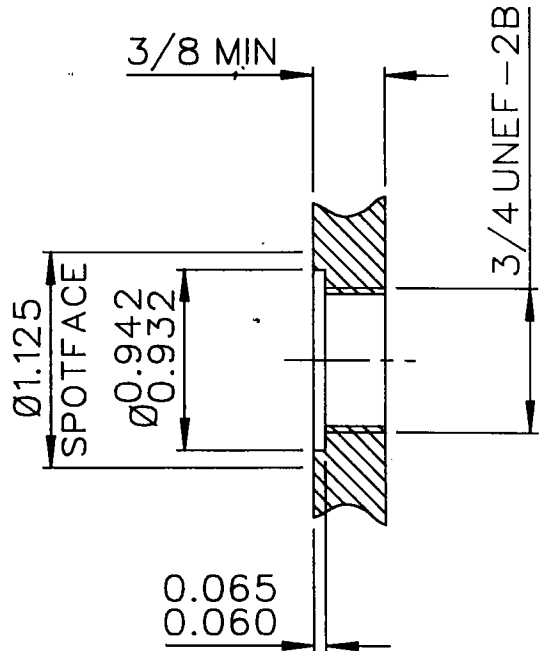
THIRD ANGLE
PROJECTION

OBSOLESCE
MAINTENANCE RANGE ONLY



NOTES

- INTERNAL THREAD 5/8x28UN TO FIT DESICCANT CONTAINERS DEHUMIDIFIER (TUBULAR) BL/D1077.
- NATO STOCK No 6685-99-687-1695 IS ALLOCATED TO DRG No BL/D1080/P5. SUFFIX P5 ADDED TO DRG No DENOTES THAT INDICATORS ARE SUPPLIED IN PACKS OF 5.



PANEL MOUNTING DETAIL

MATERIAL ALUM ALLOY	PROTECTIVE FINISH ANODISED TO DEF STAN 03-25 & DYED BLACK	NSN CHANGED - REDRAWN	5988	6	19/9/02
		OBSOLETE	2790	5	22/8/84
		DEF 5229 DELETED	2608	4	29/11/83
			1194	3	27/4/73
EST. WT. —		CHANGE	MOD No	ISSUE	DATE
DIMNS IN INS	SURFACE ROUGHNESS —	TOLERANCES			
SCALE 1 : 1		±1/64 UNLESS OTHERWISE STATED			
BROWNELL LIMITED LONDON NW10				DRAWN LJ	CHKD A
SUB CONT.		SUB CONT. DRG REF.			
TITLE INDICATOR HUMIDITY PLUG (STYLE IHP1)		DRAWING No BL/D 1080 INST			