

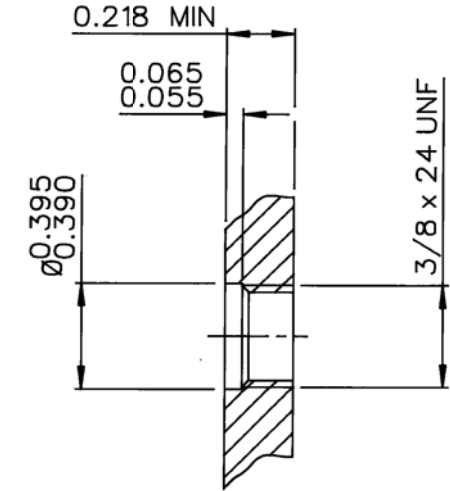
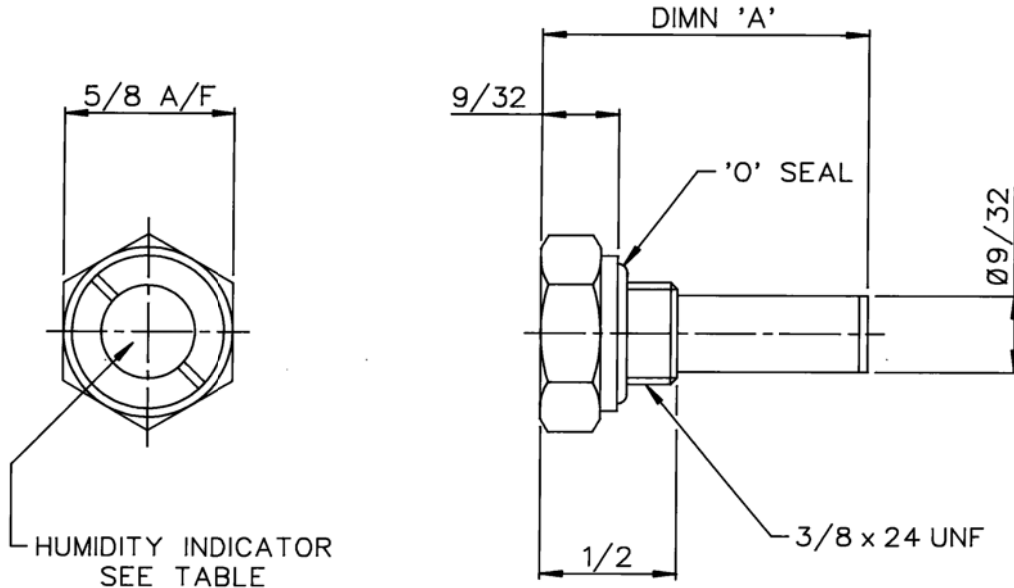
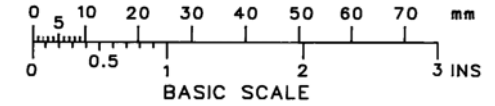
THIS DESIGN IS THE PROPERTY OF BROWNELL LTD  
AND MAY NOT BE COPIED OR REPRODUCED  
WITHOUT THEIR PRIOR WRITTEN PERMISSION

DRG No  
BL/D 1222/01-04 INST  
USED ON

THIRD ANGLE PROJECTION

REMOVE ALL BURRS & SHARP EDGES

DO NOT SCALE - ASK



PANEL MOUNTING DETAIL

DRG No	NATO STOCK No	DIMN 'A'	INDICATOR LEVEL	DESICCANT
BL/D1222/01	4440-99-199-7310	1.2	50% RH	NON-INDICATING BEADED SILICA GEL
BL/D1222/02	4440-99-745-4889	1.7	50% RH	
BL/D1222/03		2.1	50% RH	
BL/D1222/04		2.5	50% RH	
BL/D1222/01MS		1.2	30% RH	MOLECULAR SIEVES
BL/D1222/02MS	6640-99-560-4407	1.7	30% RH	
BL/D1222/03MS		2.1	30% RH	
BL/D1222/04MS		2.5	30% RH	

NOTES

- RECHARGE DESICCATOR WHEN HUMIDITY INDICATOR IS NO LONGER BLUE - DO NOT REACTIVATE.
- DESICCATOR MUST NOT BE SUBJECTED TO TEMPERATURES GREATER THAN 70 °C.
- PACKAGED FOR A TEMPERATE SHELF LIFE OF 5 YEARS.

REDRAWN - INDICATOR ADDED	5798	6	16/5/01
/02-NSN ADDED	5045	5	21/4/97
MOUNTING DETAIL ADDED	4925	4	17/6/96
NSN ADDED	4207	3	3/2/93
FINISH CHANGED	3502	2	10/5/88
		1	9/8/74
CHANGE	MOD No	ISSUE	DATE

MATERIAL BRASS	PROTECTIVE FINISH NICKEL FLASH ZINC & PAS	TOLERANCES UNLESS STATED ±1/64	BROWNELL LIMITED LONDON NW10	CUSTOMER REF.	DRAWN LJ	CHECKED [Signature]
EST. WT. —		DIMNS IN INS/mm SCALE (ORIGINAL) 2 : 1	TITLE DESICCANT CONTAINER DEHUMIDIFIER (PANEL MOUNTING)	DRAWING No BL/D 1222/01-04 INST		