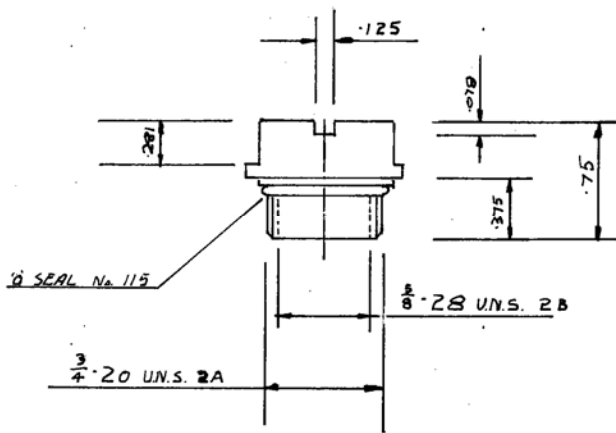
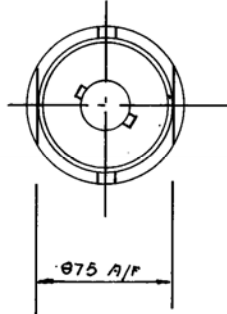


DRG. No.
BL/D 1475

USED ON 1" DIA. No. 1

THIRD ANGLE
PROJECTION



THIS DESIGN IS THE PROPERTY OF BROWNELL LTD. AND MAY NOT BE COPIED OR REPRODUCED WITHOUT THEIR PRIOR WRITTEN PERMISSION.

NOTE: CONFORMS TO DEF STAN 66-14.

MATERIAL ALUMINIUM ALLOY	PROTECTIVE FINISH ANODISE DEF 151 TYPE 1 B DYE OLIVE DRAB	NSN & NOTE ADDED	4927	1	24.6.96
		CHANGE	MOD.No.	ISSUE	DATE
EST. WT.	SURFACE ROUGH	TOLERANCES			
DIMNS IN INCHES					
SCALE FULL SIZE					
BROWNELL LIMITED LONDON W.10.			DRAWN RS	CHKD. RS	
SUB CONT.		SUB CONT. DRG. REF.			
TITLE 6085-99-942-0787 INDICATOR HEAD		DRAWING No. BL/D 1475			