

DRG.No.

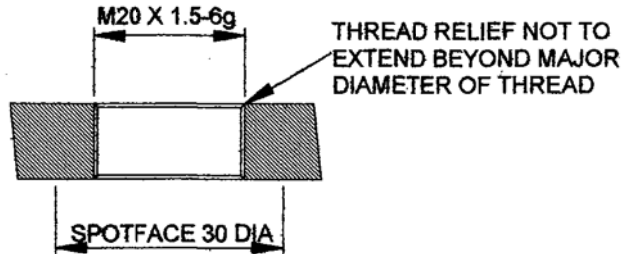
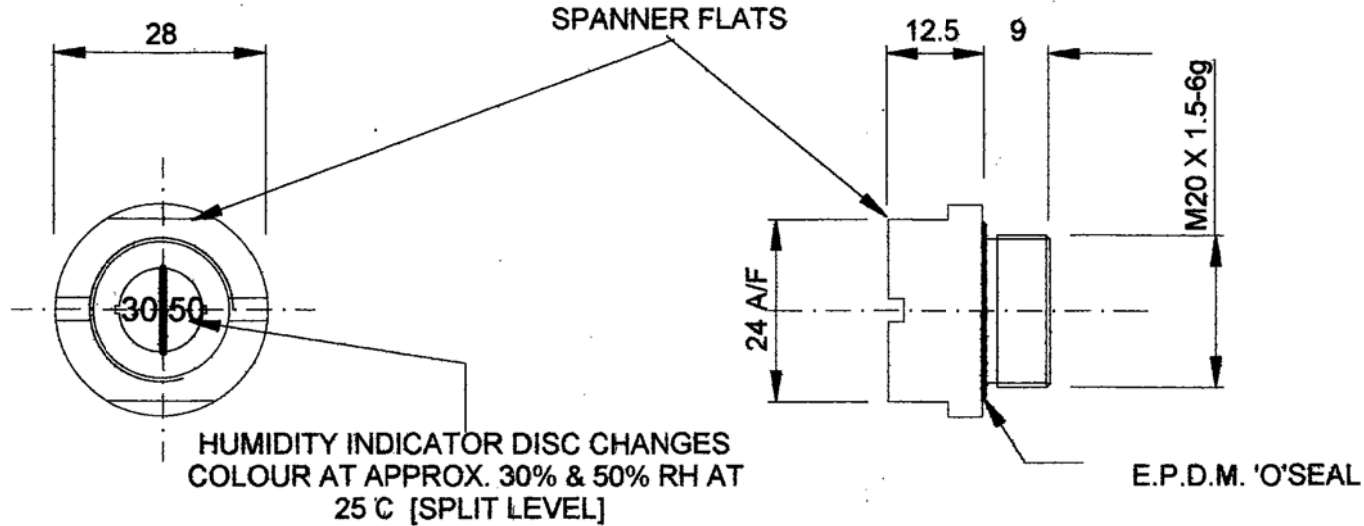
BLD1519 INST

USED ON BL/

THIRD ANGLE PROJECTION

THIS DESIGN IS THE PROPERTY OF BROWNELL LTD AND MAY NOT BE REPRODUCED WITHOUT THEIR PRIOR WRITTEN PERMISSION

DO NOT SCALE - ASK



NOT TO EXCEED 0.8um CLA

PANEL MOUNTING DETAIL

NOTES:

INTERNAL THREAD M16 X 1.0 - 6H TO FIT VARIOUS SILICA GEL FILLED DESICCANT CONTAINERS DEHUMIDIFIER

THE ITEM IS PACKAGED FOR A 5 YEAR TEMPERATE OR 3 YEAR TROPICAL SHELF LIFE IN MFL EITHER INDIVIDUALLY OR ENVELOPES HOLDING 3

REDRAWN	5882	9	11-1-02
LETTER 'M' DELETED	5381	8	18-1-99
	3271	7	8-4-87
	2112	6	19-2-81
	1336	5	10-1-74
CHANGE	MOD.No	ISSUE	DATE
DRAWN	NGH	CHECKED	GGH

MATERIAL
ALUMINIUM ALLOY

PROTECTIVE TREATMENT
ANODISE & DYE BLACK

TOLERANCES

EST.WT.
DIMNS. IN MM.
SCALE

BROWNELL LTD.LONDON.NW10

TITLE
INDICATOR HUMIDITY PLUG
STYLE IHP3M - DEF STAN 66-14
6685-99-015-1400

DRAWING No.

BL/D1519 INST