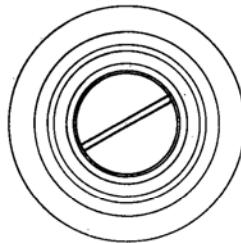
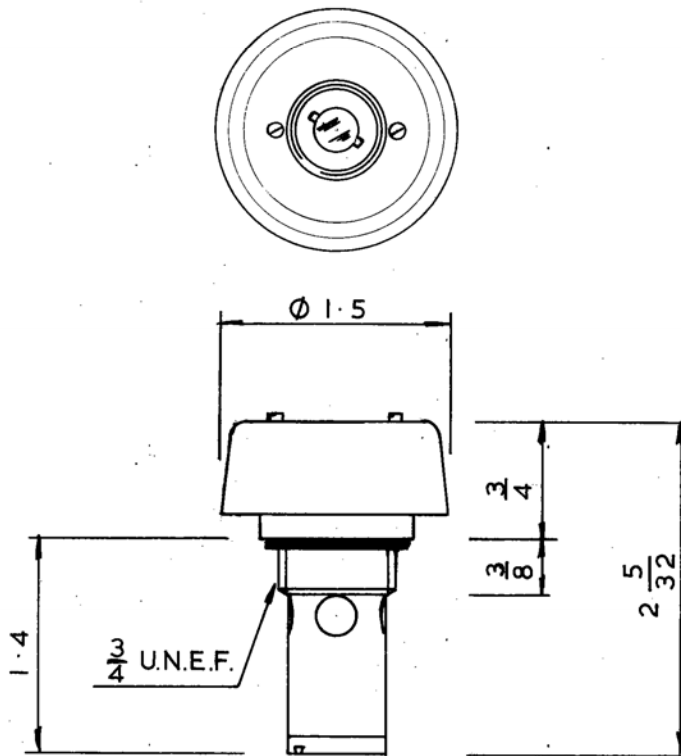


DRG. No.
BL/D 1869

USED ON

THIRD ANGLE
PROJECTION

THIS DESIGN IS THE PROPERTY OF BROWNELL LTD.
AND MAY NOT BE COPIED OR REPRODUCED
WITHOUT THEIR PRIOR WRITTEN PERMISSION.



4440-99-649-6117 M.S.
4440-99-624-7030 SG

ADD SUFFIX 'MS' WHEN MOLECULAR SIEVES DESICCANT REQ'D.

AMENDMENTS
BREATHER
TUBE ADDED
20-5-75 AT
ISSUE 4
NATO SERIAL
NO CHANGED.
PREFIX NO
ADDED TO
TITLE.
26.9.78. C.C.
ISSUE 5

MATERIAL SEE DETAIL DRAWINGS	PROTECTIVE FINISH ANODISE	NATO SER. NO. ADDED	5	22-2-73	
		NOTE ADDED 2 3/8 WAS 1 7/8	2		
EST. WT.		CHANGE	MOD.No.	ISSUE	DATE
DIMNS IN INCHES	SURFACE ROUGH	TOLERANCES			
SCALE FULL SIZE					
BROWNELL LIMITED LONDON W.10.		DRAWN	CHKD.		
SUB CONT.		SUB CONT. DRG. REF.			
TITLE DESICCANT CONTAINER DEHUMIDIFIER (BREATHER TUBE)		DRAWING No. BL/D 1869 M.S.			