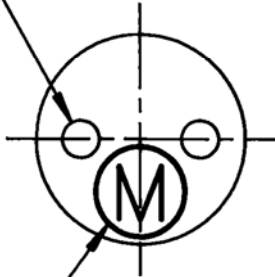


THIS DESIGN IS THE PROPERTY OF BROWNELL LTD  
AND MAY NOT BE COPIED OR REPRODUCED WITHOUT  
THEIR PRIOR WRITTEN PERMISSION

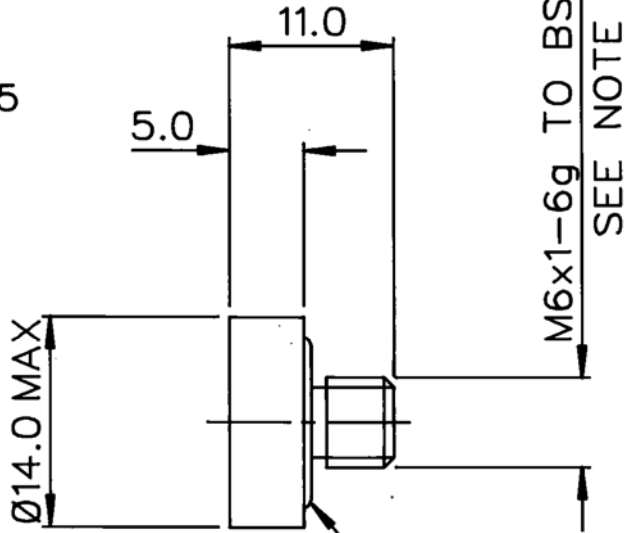
DRG No  
BL/D 1956/01-04 INST  
USED ON

THIRD ANGLE  
PROJECTION

2 HOLES  $\varnothing 2.5 \pm 0.15$   
x  $2.45 \pm 0.15$  DEEP  
ON 8.0 PCD



METRIC SYMBOL TO DEF  
STAN 05-13 TO BE INDELIBLY  
MARKED (6mm DIA APPROX.)



'O' SEAL 0081-16  
TO BS4518

NOTE: M6 THREAD IS SCREENED DURING ANODISING FOR R.F. SCREENING CONTINUITY FOR PART No's BL/D1956/03 & BL/D1956/04 ONLY.

DRG No	PROTECTIVE FINISH	NATO STOCK No
BL/D1956/01	ANODISE DEF 151 TYPE 1 & DYE BLUE BLACK	5365-99-626-4284
BL/D1956/02	ANODISE DEF 151 TYPE 1 & DYE P.O. RED	5365-99-626-4285
BL/D1956/03	ANODISE DEF 151 TYPE 1 & DYE BLUE BLACK - R.F. SCREENED	
BL/D1956/04	ANODISE DEF 151 TYPE 1 & DYE P.O. RED - R.F. SCREENED	

MATERIAL	PROTECTIVE FINISH	REDRAWN	5712	I	31/10/00
ALUMINIUM ALLOY BS1476 OR BS4300/5	SEE TABLE ABOVE	'BROWNELL' DELETED	4199	K	21/1/93
		'O' SEAL CHANGED	3518	J	3/6/88
		'O' SEAL CHANGED	3126	I	14/8/86
			2363	H	26/10/82
EST. WT. —		CHANGE	MOD No	ISSUE	DATE
DIMNS IN mm	SURFACE ROUGHNESS	TOLERANCES			
SCALE 2 : 1	—	±0.2 UNLESS STATED			

BROWNELL LIMITED LONDON NW10

DRAWN  
LJ

CHKD  
R

SUB CONT.

SUB CONT. DRG REF.

TITLE

PLUG SCREWED

DRAWING No

BL/D 1956/01-04 INST