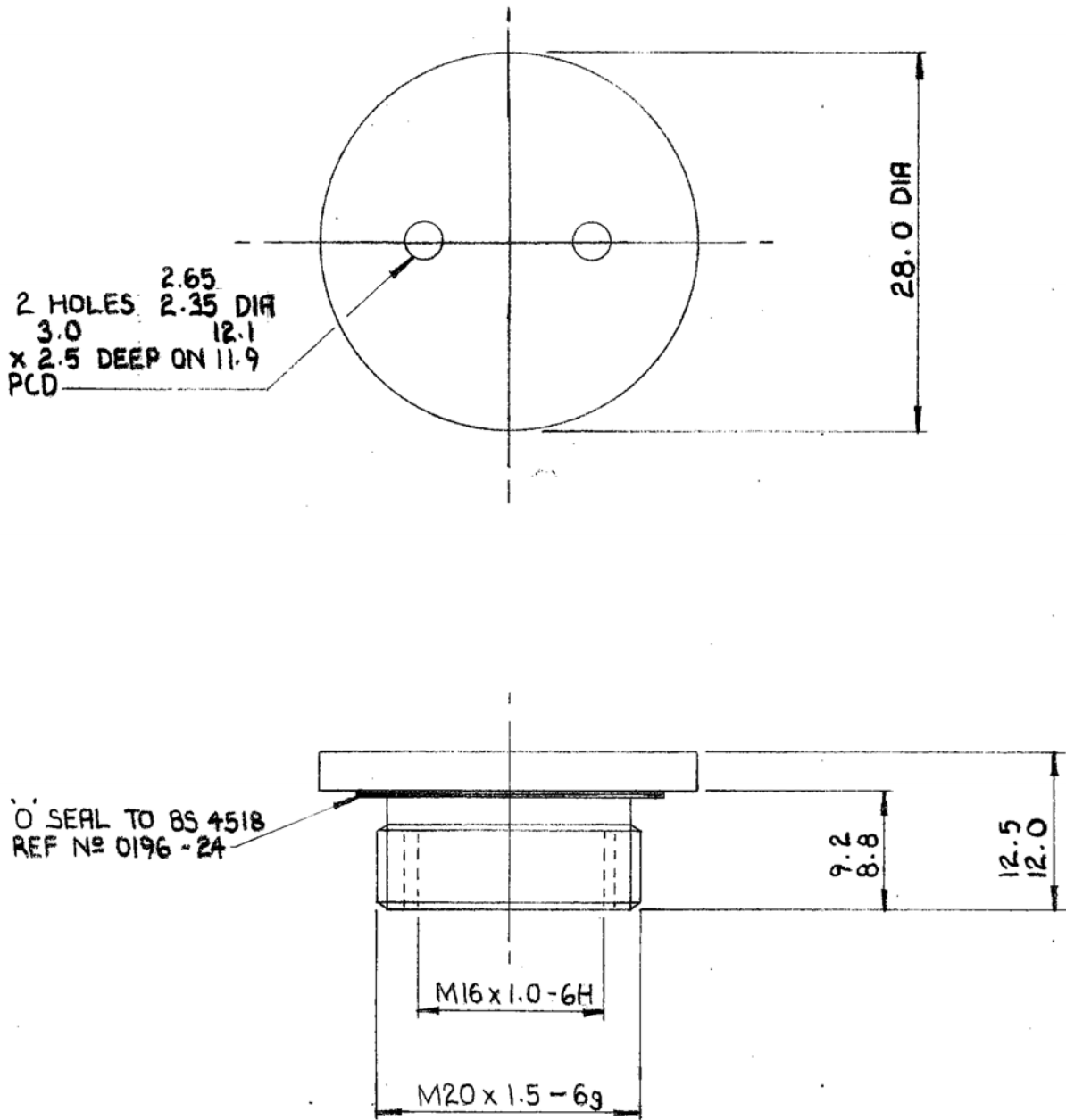


DRG. No.  
BL/ D 2049

THIRD ANGLE  
PROJECTION

USED ON \_\_\_\_\_



4440-99-624-3007

MATERIAL L. ALLOY BS 1476	PROTECTIVE FINISH AND DISE TO DEF STAN 03-25 DYE BLACK	<del>ANODIC COLOUR CHANGED</del>	5893	L	28.1.02
		<del>METRIC SYMBOL DELETED</del>			
		<del>BROWNELL DELETED</del>	4308	K	14.7.93
		REDRAWN	2363	J	8.9.82
EST. WT. _____		CHANGE	MOD. No.	ISSUE	DATE
DIMNS IN mm	SURFACE ROUGH _____	TOLERANCES AS STATED			
SCALE 2:1					
BROWNELL LIMITED LONDON N.W.10.				DRAWN R LEWIS	CHKD. 
SUB CONT. _____		SUB CONT. DRG. REF. _____			
TITLE DESICCATOR MOUNTING PLUG		DRAWING No. BL/ D 2049			

THIS DESIGN IS THE PROPERTY OF BROWNELL LTD.  
AND MAY NOT BE COPIED OR REPRODUCED  
WITHOUT THEIR PRIOR WRITTEN PERMISSION.