

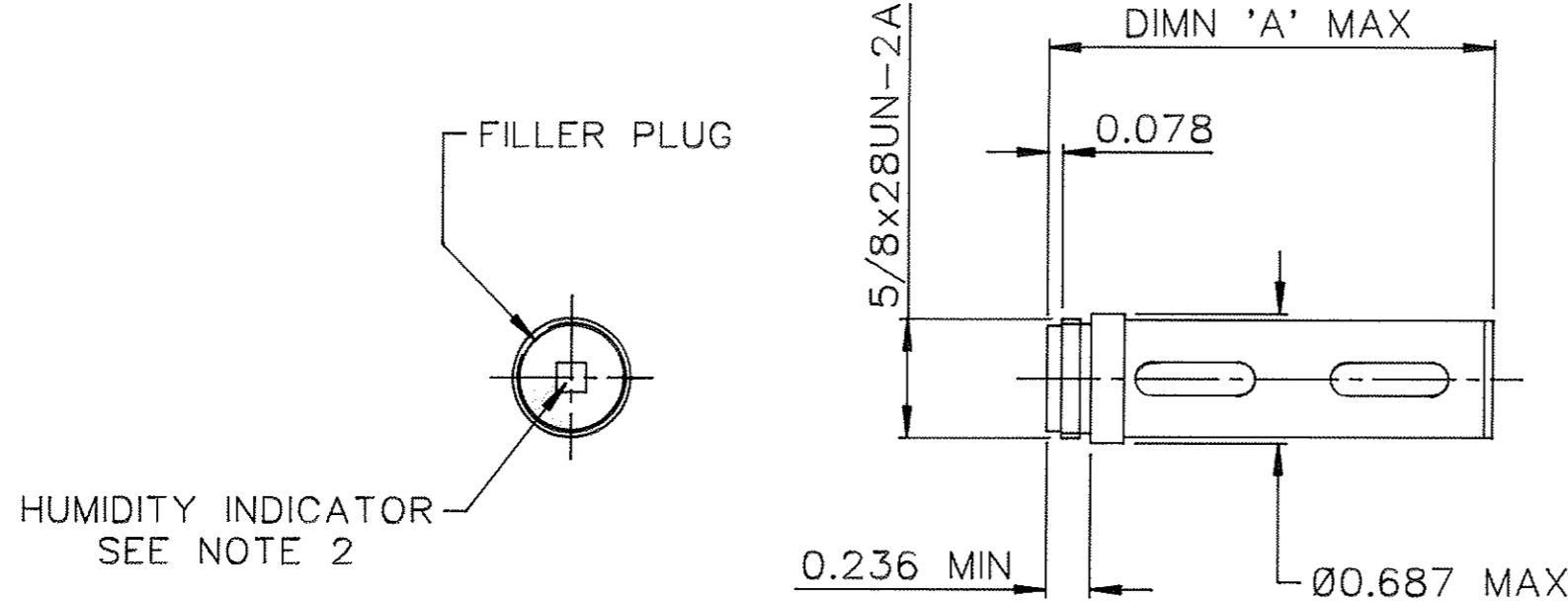
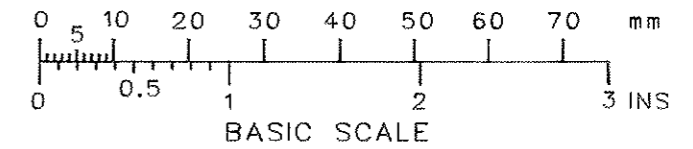
DRG NO SHT 2 OF 2
BL/D 2713/13-24 INST

USED ON

THIRD ANGLE PROJECTION

REMOVE ALL SHARP EDGES UNLESS SPECIFIED

DO NOT SCALE - ASK



SEE SHEET 1 FOR RCT1-RCT8

THIS DESIGN IS THE PROPERTY OF BROWNELL LTD AND MAY NOT BE COPIED OR REPRODUCED WITHOUT THEIR PRIOR WRITTEN PERMISSION

DRG No	STYLE	NSN	DESICCANT	NOMINAL CONTENTS	DIMN 'A' MAX	REFILL PT No	REFILL NSN
BL/D2713/13	RCT13	4440-99-758-9007	MOLECULAR SIEVES	2 GRM	1.320	BL/D2807/05	4440-99-225-3254
BL/D2713/14	RCT14	4440-99-758-9008	MOLECULAR SIEVES	4 GRM	2.362	BL/D2807/13	4440-99-225-3255
BL/D2713/15	RCT15	4440-99-758-9004	MOLECULAR SIEVES	6 GRM	3.346	BL/D2807/14	4440-99-225-3256
BL/D2713/16	RCT16	4440-99-758-9006	MOLECULAR SIEVES	8 GRM	4.330	BL/D2807/15	4440-99-225-3257
BL/D2713/17	RCT17	4440-99-800-5879	BEADED SILICA GEL	2 GRM	1.320	BL/D2807/03	4440-99-225-3266
BL/D2713/18	RCT18		BEADED SILICA GEL	4 GRM	2.362	BL/D2807/24	4440-99-225-3267
BL/D2713/19	RCT19	4440-99-761-4436	BEADED SILICA GEL	6 GRM	3.346	BL/D2807/25	4440-99-225-3268
BL/D2713/20	RCT20		BEADED SILICA GEL	8 GRM	4.330	BL/D2807/26	4440-99-225-3269
BL/D2713/21	RCT21		MOLECULAR SIEVES	15 GRM	5.250	BL/D2807/12	4440-99-225-3259
BL/D2713/22	RCT22		MOLECULAR SIEVES	18 GRM	6.250	BL/D2807/59	
BL/D2713/23	RCT23		BEADED SILICA GEL	15 GRM	5.250	BL/D2807/27	4440-99-225-3271
BL/D2713/24	RCT24		BEADED SILICA GEL	18 GRM	6.250	BL/D2807/57	

NOTES

- ALL DESICCATORS IRRESPECTIVE OF THE TYPE OF DESICCANT USED ARE OVERPACKAGED IN SCREW CAP ALUMINIUM CONTAINERS SUITABLY TREATED TO ENSURE THAT THERE IS NOT MORE THAN 2% INCREASE IN THE WEIGHT OF THE DESICCANT IN 5 YEARS WHEN STORED IN TEMPERATE CONDITIONS.
- A COBALT BROMIDE INDICATOR DISC WHICH SHOWS A COLOUR CHANGE FROM BLUE TO PINK WHEN THE EQUILIBRIUM RH EXCEEDS 10% AT 25 °C IS FITTED AS A GUIDE TO THE CONDITION OF THE DESICCANT WHEN THE DESICCATOR IS FIRST REMOVED FROM ITS STORAGE CONTAINER.

ANODIC COLOUR CHANGED	5932	13	10/4/02
REDRAWN	3963	12	18/3/91
CHANGE	MOD NO	ISSUE	DATE

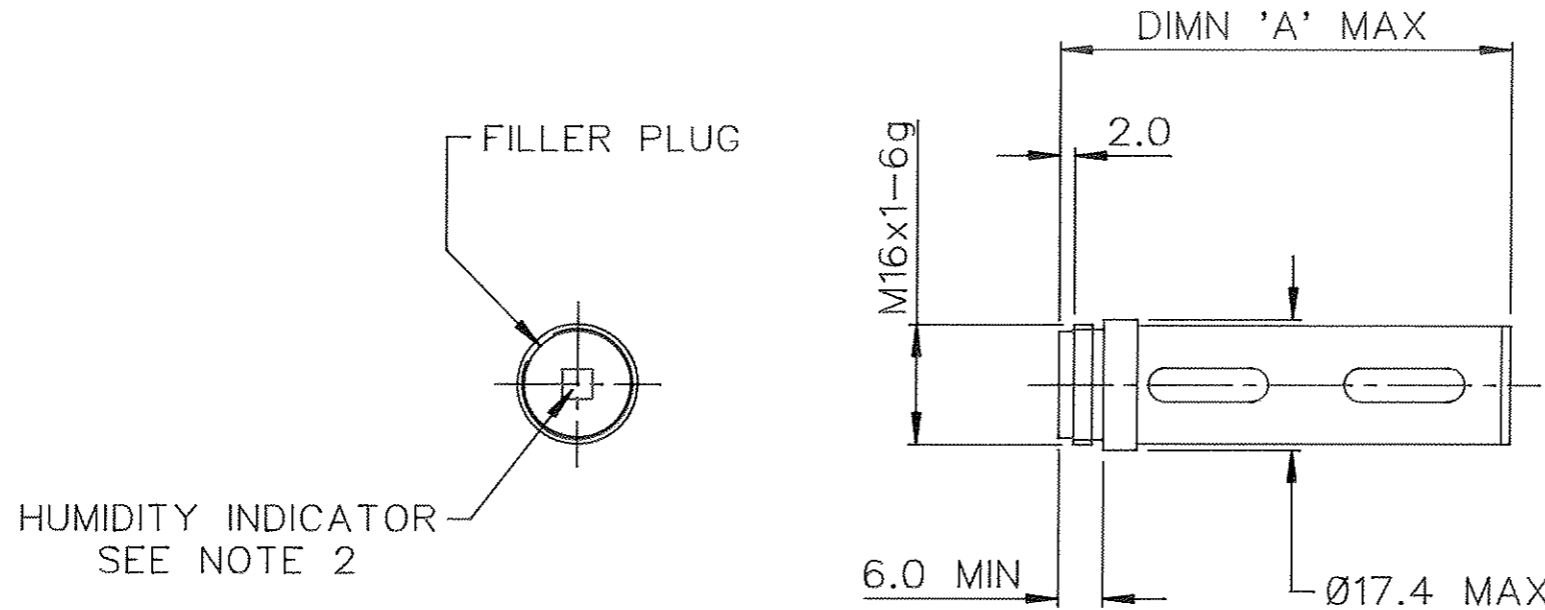
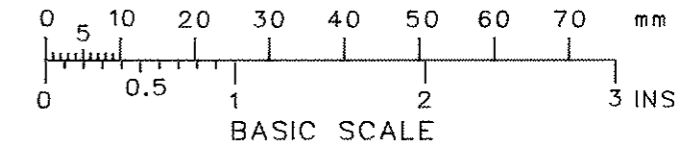
MATERIAL	PROTECTIVE FINISH	TOLERANCES UNLESS STATED	BROWNELL LIMITED LONDON NW10	CUSTOMER REF.	DRAWN	CHECKED
ALUM ALLOY	ANODISED BLACK	—	TITLE		LJ	A
EST. WT.		DIMNS IN INS/	DESICCANT CONTAINER DEHUMIDIFIER (TUBULAR) RECHARGEABLE SERIES	DRAWING NO	SHT 2 OF 2	
		SCALE (ORIGINAL)		BL/D 2713/13-24 INST		

DRG NO SHT 1 OF 2
 BL/D 2713/01-08 INST
 USED ON DEF STAN 44-2

THIRD ANGLE PROJECTION

REMOVE ALL SHARP EDGES UNLESS SPECIFIED

DO NOT SCALE - ASK



SEE SHEET 2 FOR RCT13-RCT24

DRG No	STYLE	NSN	DESICCANT	NOMINAL CONTENTS	DIMN 'A' MAX	REFILL PT No	REFILL NSN
BL/D2713/01	RCT1MMS	4440-99-225-3230	MOLECULAR SIEVES	2 GRM	33.5	BL/D2807/05	4440-99-225-3254
BL/D2713/02	RCT2MMS	4440-99-225-3231	MOLECULAR SIEVES	4 GRM	60.0	BL/D2807/13	4440-99-225-3255
BL/D2713/03	RCT3MMS	4440-99-225-3232	MOLECULAR SIEVES	6 GRM	85.0	BL/D2807/14	4440-99-225-3256
BL/D2713/04	RCT4MMS	4440-99-225-3233	MOLECULAR SIEVES	8 GRM	110.0	BL/D2807/15	4440-99-225-3257
BL/D2713/05	RCT5MBSG	4440-99-225-3234	BEADED SILICA GEL	2 GRM	33.5	BL/D2807/03	4440-99-225-3266
BL/D2713/06	RCT6MBSG	4440-99-225-3235	BEADED SILICA GEL	4 GRM	60.0	BL/D2807/24	4440-99-225-3267
BL/D2713/07	RCT7MBSG	4440-99-225-3236	BEADED SILICA GEL	6 GRM	85.0	BL/D2807/25	4440-99-225-3268
BL/D2713/08	RCT8MBSG	4440-99-225-3237	BEADED SILICA GEL	8 GRM	110.0	BL/D2807/26	4440-99-225-3269

NOTES

- ALL DESICCATORS IRRESPECTIVE OF THE TYPE OF DESICCANT USED ARE OVERPACKAGED IN SCREW CAP ALUMINIUM CONTAINERS SUITABLY TREATED TO ENSURE THAT THERE IS NOT MORE THAN 2% INCREASE IN THE WEIGHT OF THE DESICCANT IN 5 YEARS WHEN STORED IN TEMPERATE CONDITIONS.
- A COBALT BROMIDE INDICATOR DISC WHICH SHOWS A COLOUR CHANGE FROM BLUE TO PINK WHEN THE EQUILIBRIUM RH EXCEEDS 10% AT 25 °C IS FITTED AS A GUIDE TO THE CONDITION OF THE DESICCANT WHEN THE DESICCATOR IS FIRST REMOVED FROM ITS STORAGE CONTAINER.

ANODIC COLOUR CHANGED	5932	13	10/4/02
REDRAWN	3963	12	18/3/91
CHANGE	MOD NO	ISSUE	DATE

MATERIAL	PROTECTIVE FINISH	TOLERANCES UNLESS STATED	BROWNELL LIMITED LONDON NW10	CUSTOMER REF.	DRAWN	CHECKED
ALUM ALLOY	ANODISED BLACK	—	TITLE		LJ	K
EST. WT.		DIMNS IN INS /mm	DESICCANT CONTAINER DEHUMIDIFIER (TUBULAR) RECHARGEABLE SERIES	DRAWING NO	SHT 1 OF 2	
		SCALE (ORIGINAL)		BL/D 2713/01-08 INST		

THIS DESIGN IS THE PROPERTY OF BROWNELL LTD AND MAY NOT BE COPIED OR REPRODUCED WITHOUT THEIR PRIOR WRITTEN PERMISSION