

THIS DESIGN IS THE PROPERTY OF BROWNELL LTD. AND MAY NOT BE COPIED OR REPRODUCED WITHOUT THEIR PRIOR WRITTEN PERMISSION.

PLEASE NOTE

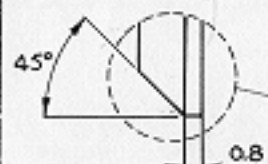
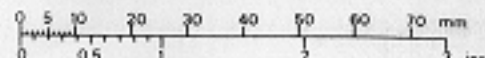
THIS DRAWING WILL NOT BE AUTOMATICALLY REPLACED BY SUBSEQUENT ISSUES.

DRG. No.
BL/D2719/8-17
BASED ON DEF. STAN. 44-2

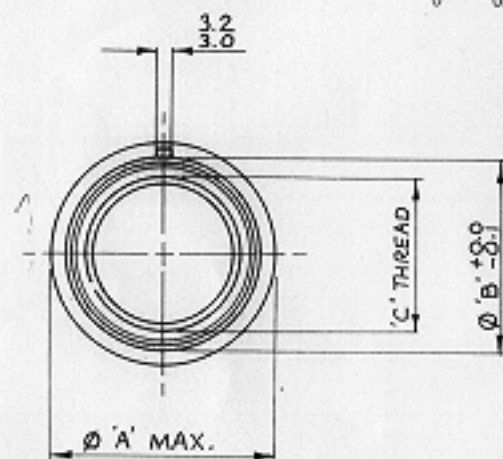
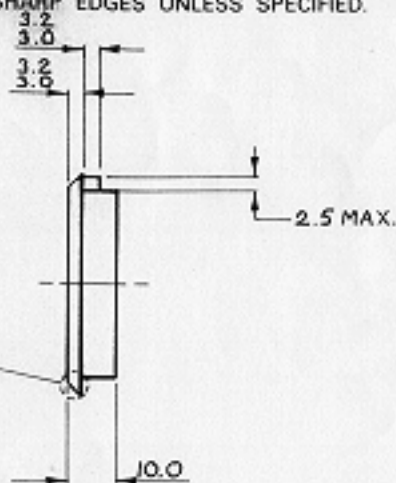
THIRD ANGLE PROJECTION

REMOVE ALL SHARP EDGES UNLESS SPECIFIED.

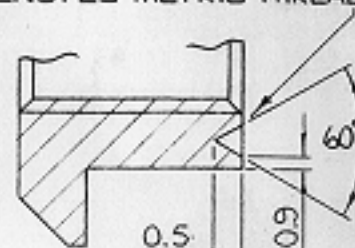
DO NOT SCALE - ASK.



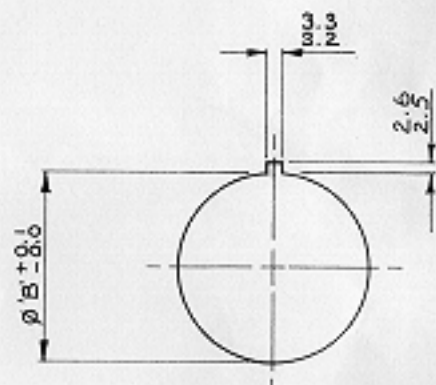
ENLARGED DETAIL
SCALE 4:1



NOTE - THIS GROOVE DENOTES METRIC THREAD



SCRAP VIEW



PANEL HOLE DIMENSIONAL DETAIL

PROTECTIVE FINISH	STYLE REF.	DRG. REF.	'A' MAX.	'B' DIA.	'C' THREAD	NATO STOCK NUMBER.
ANODISED DEF 151 TYPE I DYED BLUE-BLACK	PB 1 M	BL/D2719/8	32.5	25.0	M20x1.5-6H	4440-99-225-3696
	PB 2 M	" /9	45.0	38.0	M32x1.5-6H	4440-99-225-3697
	PB 3 M	" /10	48.5	41.5	M35x1.5-6H	4440-99-225-3698
	PB 4 M	" /11	51.5	44.5	M39x1.5-6H	4440-99-225-3699
	PB 5 M	" /12	58.0	51.0	M44x1.5-6H	
	PB 6 M	" /13	64.5	58.0	M52x1.5-6H	4440-99-225-3700
	PB 7 M	" /14	75.0	66.0	M60x1.5-6H	4440-99-225-3701
	PB 8 M	" /15	56.0	48.0	M42x1.5-6H	
	PB 9 M	" /16	38.0	30.0	M25x1.5-6H	4440-99-225-3702
	PB 10 M	" /17	38.0	30.0	M24x1.5-6H	
NATURAL FINISH	PB 1 MNA	BL/D2719/8NA	32.5	25.0	M20x1.5-6H	4440-99-225-3703
	PB 2 MNA	" /9NA	45.0	38.0	M32x1.5-6H	4440-99-225-3704
	PB 3 MNA	" /10NA	48.5	41.5	M35x1.5-6H	4440-99-225-3705
	PB 4 MNA	" /11NA	51.5	44.5	M39x1.5-6H	4440-99-225-3706
	PB 5 MNA	" /12NA	58.0	51.0	M44x1.5-6H	
	PB 6 MNA	" /13NA	64.5	58.0	M52x1.5-6H	4440-99-225-3707
	PB 7 MNA	" /14NA	75.0	66.0	M60x1.5-6H	4440-99-225-3708
	PB 8 MNA	" /15NA	56.0	48.0	M42x1.5-6H	
	PB 9 MNA	" /16NA	38.0	30.0	M25x1.5-6H	4440-99-225-3709
	PB 10 MNA	" /17NA	38.0	30.0	M24x1.5-6H	

MATERIAL
ALUMINIUM ALLOY
S 4300/5 2011T3
31474 HE-30 TF

PROTECTIVE TREATMENT
SEE TABLE

TOLERANCES
UNLESS
STATED

DIMNS. IN INS/m.m. m.m.

SCALE (ORIGINAL)

BROWNELL LTD. LONDON, N.W.10.

TITLE

PANEL BUSH (METRIC)

DIP BRAZING NOTE DELETED	5385	15	26.1.99
METRIC SYMBOL DELETED			
SCRAP VIEW ENLARGED	3371	14	10.9.87
/17 ADDED	3075	13	30.5.86
NOTE ADDED - BRAZING	3065	12	6.5.86
GROOVE ADDED	2833	11	25.10.84
REDRAWN	2751	10	13.6.84

CHANGE	MOD. No.	ISSUE	DATE
CUSTOMERS REF.		DRAWN E/H	CHECKED

DRAWING No.

3L/D2719/8-17