

DRG No
BL/D 2777/01-06 INST

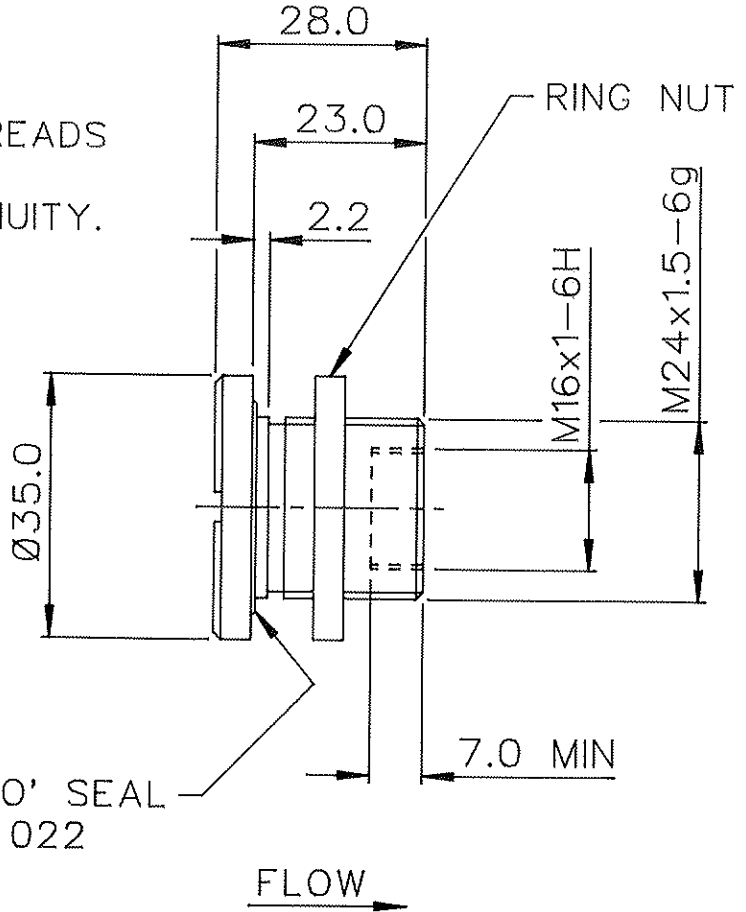
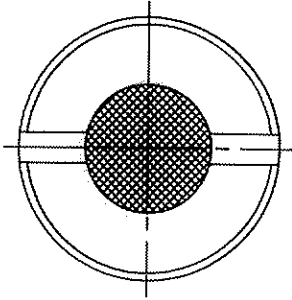
THIRD ANGLE
PROJECTION

REMOVE ALL BURRS
& SHARP EDGES

USED ON

NOTE

RING NUT & BOTH THREADS
ARE ALOCHROMED FOR
R. F. SCREENING CONTINUITY.



NITRILE 'O' SEAL
SIZE 022

FLOW

DRG No	OPENING PRESSURE	NATO STOCK No
BL/D2777/01	1.25-1.75 PSI	
BL/D2777/02	0.5-0.75 PSI	
BL/D2777/03	2.5-3.0 PSI	4820-99-736-0163
BL/D2777/04	0.25 PSI	
BL/D2777/05	3.5-4.0 PSI	
BL/D2777/06	1.0-1.5 PSI	

THIS DESIGN IS THE PROPERTY OF BROWNELL LTD
AND MAY NOT BE COPIED OR REPRODUCED WITHOUT
THEIR PRIOR WRITTEN PERMISSION

MATERIAL	PROTECTIVE FINISH				
ALUM ALLOY	ANODISED BLACK SEE NOTE	BUILD STANDARD CHANGED	5960	5	26/6/02
EST. WT. —		'O' SEAL DETAIL ADDED	3629	4	22/2/89
DIMNS IN mm	SURFACE ROUGHNESS	REDRAWN	3229	3	4/2/87
SCALE 1 : 1	—	CHANGE	MOD No	ISSUE	DATE
		TOLERANCES	±0.3		
BROWNELL LIMITED LONDON NW10				DRAWN LJ	CHKD K
SUB CONT.		SUB CONT. DRG REF.			
TITLE R. F. SCREENED SINGLE WAY RELIEF VALVE (INWARD)		DRAWING No BL/D 2777/01-06 INST			