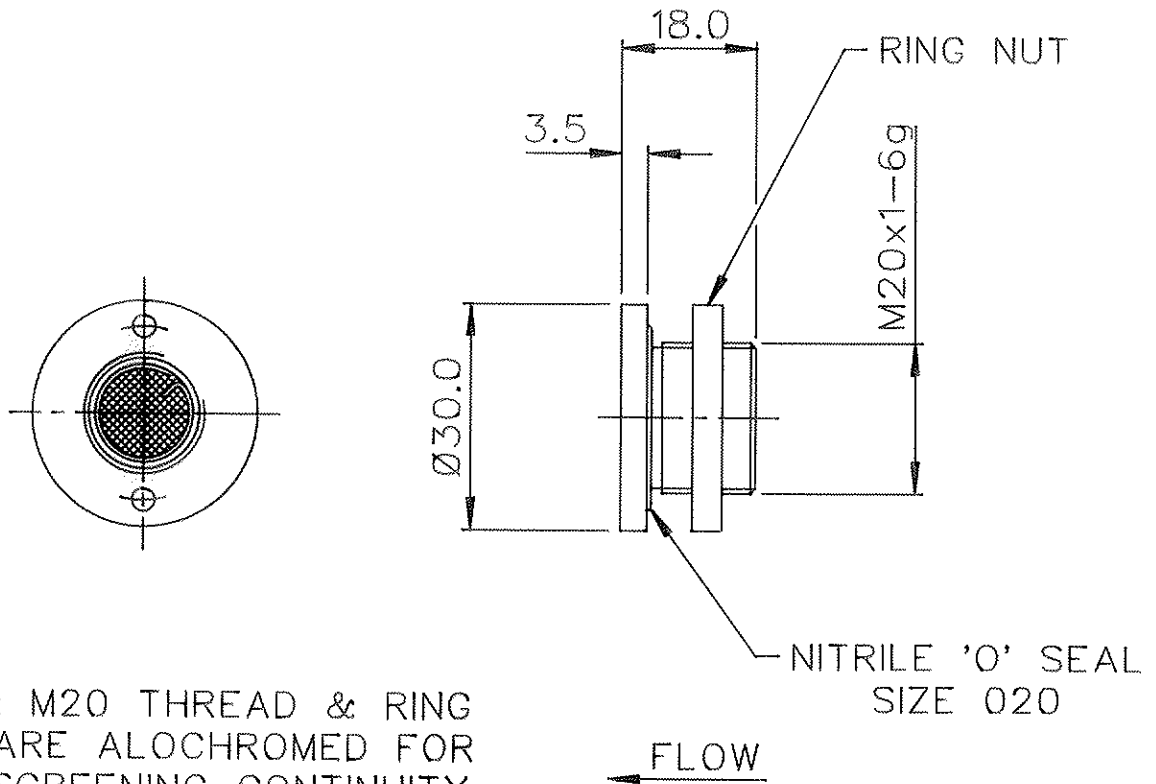


DRG No
BL/D 2778/01-06 INST

THIRD ANGLE
PROJECTION

REMOVE ALL BURRS
& SHARP EDGES

USED ON



NOTE: M20 THREAD & RING NUT ARE ALOCHROMED FOR R.F. SCREENING CONTINUITY.

THIS DESIGN IS THE PROPERTY OF BROWNELL LTD AND MAY NOT BE COPIED OR REPRODUCED WITHOUT THEIR PRIOR WRITTEN PERMISSION

DRG No	OPENING PRESSURE	NATO STOCK No
BL/D2778/01	1.25-1.75 PSI	4820-99-720-2217
BL/D2778/02	1.0-1.5 PSI	
BL/D2778/03	2.5-3.0 PSI	4820-99-553-2660
BL/D2778/04	0.25 PSI	
BL/D2778/05	0.5-0.75 PSI	
BL/D2778/06	4.0-5.0 PSI	

MATERIAL ALUM ALLOY	PROTECTIVE FINISH ANODISED BLACK SEE NOTE	BUILD STANDARD CHANGED	5829	6	11/7/01
		NSN ADDED - /03	5282	5	15/7/98
		'O' SEAL DETAILS ADDED	3629	4	22/2/89
		NSN ADDED - /01	2997	3	29/11/85
		TABLE ADDED		2	30/5/78
EST. WT. —		CHANGE	MOD No	ISSUE	DATE
DIMNS IN mm	SURFACE ROUGHNESS	TOLERANCES			
SCALE 1 : 1	—	±0.3			
BROWNELL LIMITED LONDON NW10			DRAWN LJ	CHKD K	
SUB CONT.		SUB CONT. DRG REF.			
TITLE R.F. SCREENED SINGLE WAY RELIEF VALVE (OUTWARD)		DRAWING No BL/D 2778/01-06 INST			