

DRG.No.

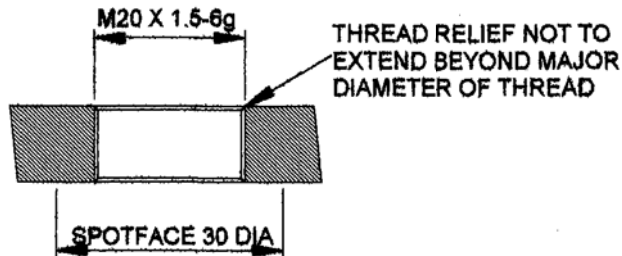
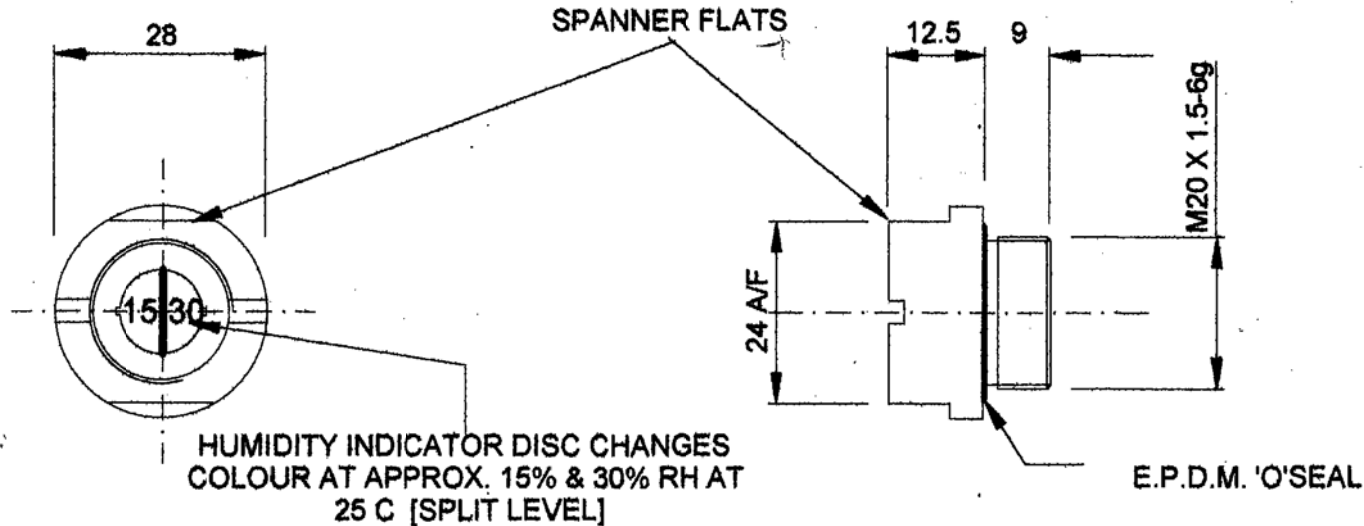
BLD2856 INST

USED ON BL/

# THIRD ANGLE PROJECTION

THIS DESIGN IS THE PROPERTY OF BROWNELL LTD AND MAY NOT BE REPRODUCED WITHOUT THEIR PRIOR WRITTEN PERMISSION

DO NOT SCALE - ASK



NOT TO EXCEED 0.8um CLA

**PANEL MOUNTING DETAIL**

**NOTES:**

INTERNAL THREAD M16 X 1.0 - 6H  
TO FIT VARIOUS MOLECULAR SIEVES FILLED  
DESICCANT CONTAINERS DEHUMIDIFIER

THE ITEM IS PACKAGED FOR A 5 YEAR  
TEMPERATE OR 3 YEAR TROPICAL  
SHELF LIFE IN MFL EITHER INDIVIDUALLY  
OR ENVELOPES HOLDING 3

REDRAWN	5882	9	11-1-02
LETTER 'M' DELETED	5381	8	18-1-99
TABLE ALTERED	3271	7	8-4-87
# DELETED	2757	6	21-6-84
	2482	5	8-3-83
CHANGE	MOD.No	ISSUE	DATE
DRAWN	NGH	CHECKED	GGH

MATERIAL ALUMINIUM ALLOY	PROTECTIVE TREATMENT ANODISE & DYE BLACK	TOLERANCES	BROWNELL LTD.LONDON.NW10	
		EST.WT.		TITLE
		DIMNS. IN MM.		INDICATOR HUMIDITY PLUG STYLE IHP4M - DEF STAN 66-14 6685-99-658-1950
		SCALE		
			DRAWING No. <b>BL/D2856 INST</b>	