

THIS DESIGN IS THE PROPERTY OF BROWNELL LTD
AND MAY NOT BE COPIED OR REPRODUCED
WITHOUT THEIR PRIOR WRITTEN PERMISSION

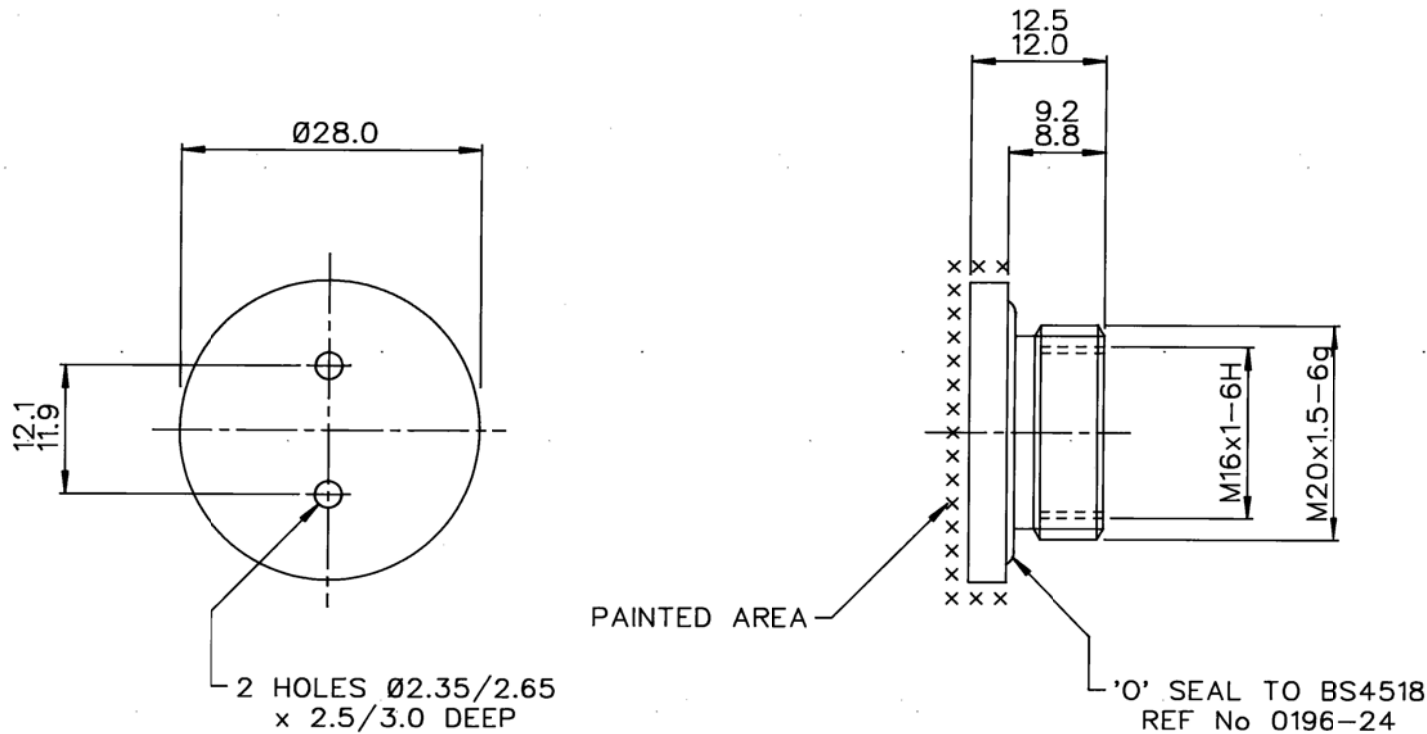
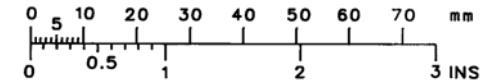
DRG No
BL/D 2994 INST

USED ON

THIRD ANGLE PROJECTION

REMOVE ALL BURRS & SHARP EDGES

DO NOT SCALE - ASK



NOTE: AREA MARKED THUS xxxxx PAINTED MATT BLACK - NON REFLECTIVE.

REDRAWN - FINISH CHANGED METRIC SYMBOL DELETED	5970	4	22/8/02
NSN ADDED	3401	3	28/10/87
NOTE DELETED	1732	2	6/2/79
		1	25/1/78
CHANGE	MOD No	ISSUE	DATE

MATERIAL ALUM ALLOY	PROTECTIVE FINISH ALOCROMED SEE NOTE	TOLERANCES UNLESS STATED ±0.5	BROWNELL LIMITED LONDON NW10	CUSTOMER REF.	DRAWN LJ	CHECKED R
EST. WT. —		DIMNS IN INS /mm SCALE (ORIGINAL) 2 : 1	TITLE 4440-99-746-6311 R. F. SCREENED DESICCATOR MOUNTING PLUG	DRAWING No BL/D 2994 INST		