

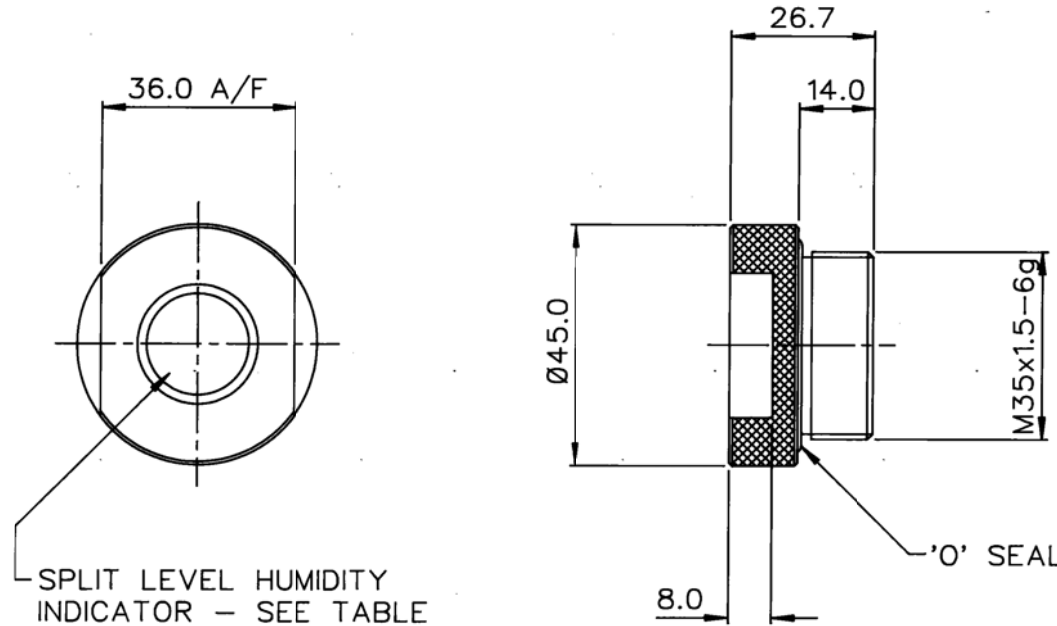
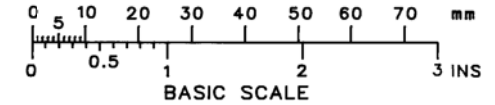
THIS DESIGN IS THE PROPERTY OF BROWNELL LTD
AND MAY NOT BE COPIED OR REPRODUCED
WITHOUT THEIR PRIOR WRITTEN PERMISSION

DRG NO
BL/D 3058/01-04 INST
USED ON

THIRD ANGLE PROJECTION

REMOVE ALL SHARP EDGES UNLESS SPECIFIED

DO NOT SCALE - ASK



SPLIT LEVEL HUMIDITY INDICATOR - SEE TABLE

DRG No	STYLE	NATO STOCK No	INDICATOR LEVELS AT 25 °C	R.F. SCREENED
BL/D3058/01	IHP10M	6685-99-225-3722	30 & 50% RH	NO
BL/D3058/02	IHP11M	6685-99-225-3723	15 & 30% RH	NO
BL/D3058/03	RIHP10M	6685-99-225-3726	30 & 50% RH	YES
BL/D3058/04	RIHP11M	6685-99-225-3727	15 & 30% RH	YES

NOTES

1. MOUNTING THREADS ON BL/D3058/03 & 04 ARE NATURAL FINISH FOR R.F. SCREENING CONTINUITY.
2. CONFORMS TO DEF STAN 66-14.

ANODIC COLOUR CHANGED YELLOW RING DELETED	5870	6	17/12/01
REDRAWN	4011	5	6/9/91
CHANGE	MOD NO	ISSUE	DATE

MATERIAL ALUM ALLOY	PROTECTIVE FINISH ANODISED BLACK	TOLERANCES UNLESS STATED	±0.3	BROWNELL LIMITED LONDON NW10 TITLE INDICATOR HUMIDITY PLUG	CUSTOMER REF.	DRAWN LJ	CHECKED A
		DIMNS IN mm /mm	SCALE (ORIGINAL) 1 : 1		DRAWING NO BL/D 3058/01-04 INST		
EST. WT. —							