

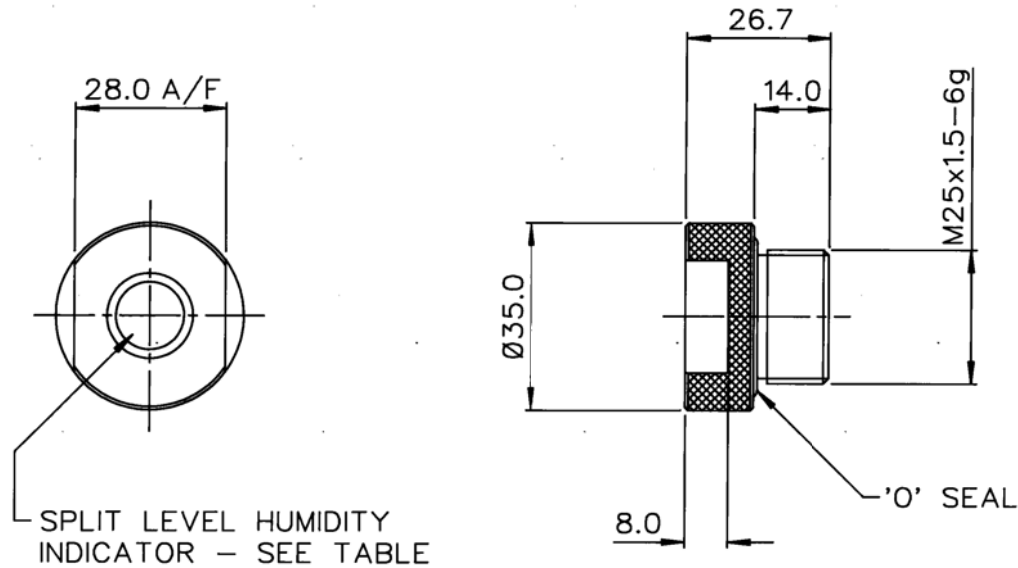
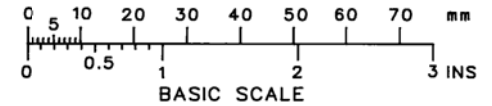
THIS DESIGN IS THE PROPERTY OF BROWNELL LTD
AND MAY NOT BE COPIED OR REPRODUCED
WITHOUT THEIR PRIOR WRITTEN PERMISSION

DRG NO
BL/D 3059/01-04 INST
USED ON

THIRD ANGLE PROJECTION

REMOVE ALL SHARP EDGES UNLESS SPECIFIED

DO NOT SCALE - ASK



DRG No	STYLE	NATO STOCK No	INDICATOR LEVELS AT 25 °C	R.F. SCREENED
BL/D3059/01	IHP8M	6685-99-225-3720	30 & 50% RH	NO
BL/D3059/02	IHP9M	6685-99-225-3721	15 & 30% RH	NO
BL/D3059/03	RIHP8M	6685-99-225-3724	30 & 50% RH	YES
BL/D3059/04	RIHP9M	6685-99-225-3725	15 & 30% RH	YES

NOTES

1. MOUNTING THREADS ON BL/D3059/03 & 04 ARE NATURAL FINISH FOR R.F. SCREENING CONTINUITY.
2. CONFORMS TO DEF STAN 66-14.

ANODIC COLOUR CHANGED YELLOW RING DELETED	5870	6	17/12/01
REDRAWN	4011	5	6/9/91
CHANGE	MOD NO	ISSUE	DATE

MATERIAL	PROTECTIVE FINISH	TOLERANCES UNLESS STATED	±0.3	BROWNELL LIMITED LONDON NW10	CUSTOMER REF.	DRAWN	CHECKED
ALUM ALLOY	ANODISED BLACK			TITLE		LJ	Ⓚ
EST. WT. —		DIMNS IN mm /mm		INDICATOR HUMIDITY PLUG	DRAWING NO		
		SCALE (ORIGINAL)	1 : 1		BL/D 3059/01-04 INST		