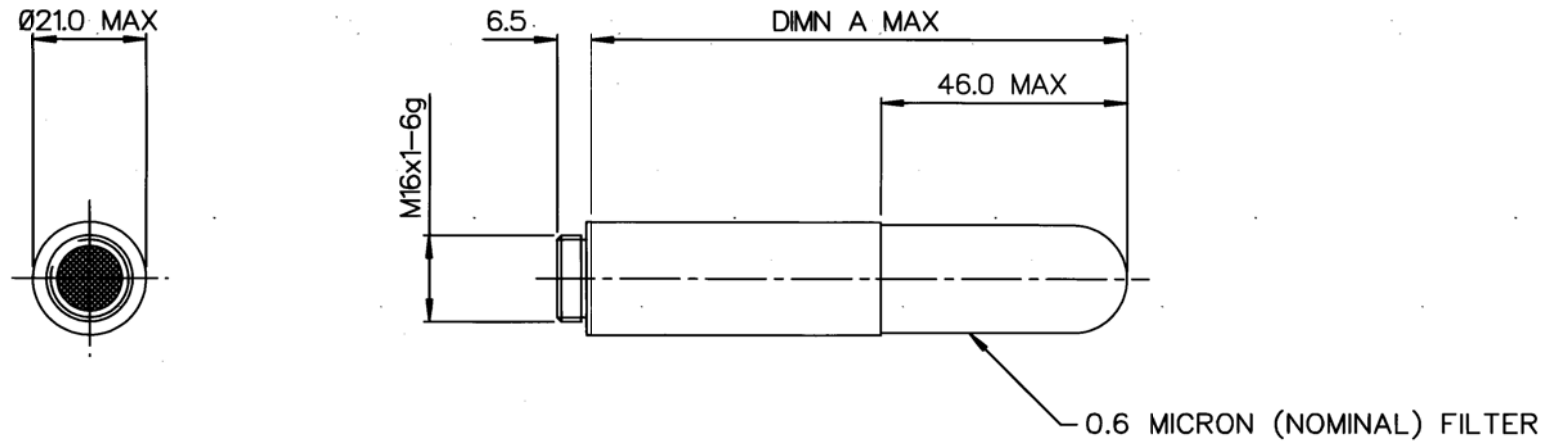
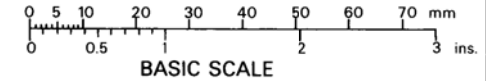


DRG. No.
BL/D3158/1-4 INST
USED ON

THIRD ANGLE PROJECTION

REMOVE ALL SHARP EDGES UNLESS SPECIFIED.

DO NOT SCALE - ASK.



DRG No	STYLE	NATO STOCK No	DIMN A MAX	NOMINAL CONTENT	REFILL PART No	NATO STOCK No FOR REFILL
BL/D3158/1	RDF1MMS	4440-99-225-3246	60.0	10 GRMS	BL/D2771/2	4440-99-639-6243
BL/D3158/2	RDF2MMS	4440-99-225-3247	75.0	13 GRMS	BL/D2807/16	4440-99-225-3263
BL/D3158/3	RDF3MMS	4440-99-225-3248	100.0	17 GRMS	BL/D2807/17	4440-99-225-3264
BL/D3158/4	RDF4MMS	4440-99-225-3249	125.0	22 GRMS	BL/D2807/18	4440-99-225-3265

NOTES

- FILLED WITH MOLECULAR SIEVES DESICCANT - BS7444 GRADE 4A.
- CONFORMS TO DEF. STAN. 44-2 PART 2.
- PACKAGED FOR A SHELF LIFE OF 5 YEARS WHEN STORED IN TEMPERATE CONDITIONS.

REDRAWN	4011	5	6/9/91
CHANGE	MOD. No.	ISSUE	DATE

MATERIAL ALUM ALLOY	PROTECTIVE TREATMENT ANODISED	TOLERANCES UNLESS STATED	±0.5	BROWNELL LTD. LONDON, N.W.10.	CUSTOMERS REF.	DRAWN LJ	CHECKED IS
		DIMNS. IN INS /m.m.					
EST. WT.		SCALE (ORIGINAL)	1 : 1				

THIS DESIGN IS THE PROPERTY OF BROWNELL LTD. AND MAY NOT BE COPIED OR REPRODUCED WITHOUT THEIR PRIOR WRITTEN PERMISSION.