

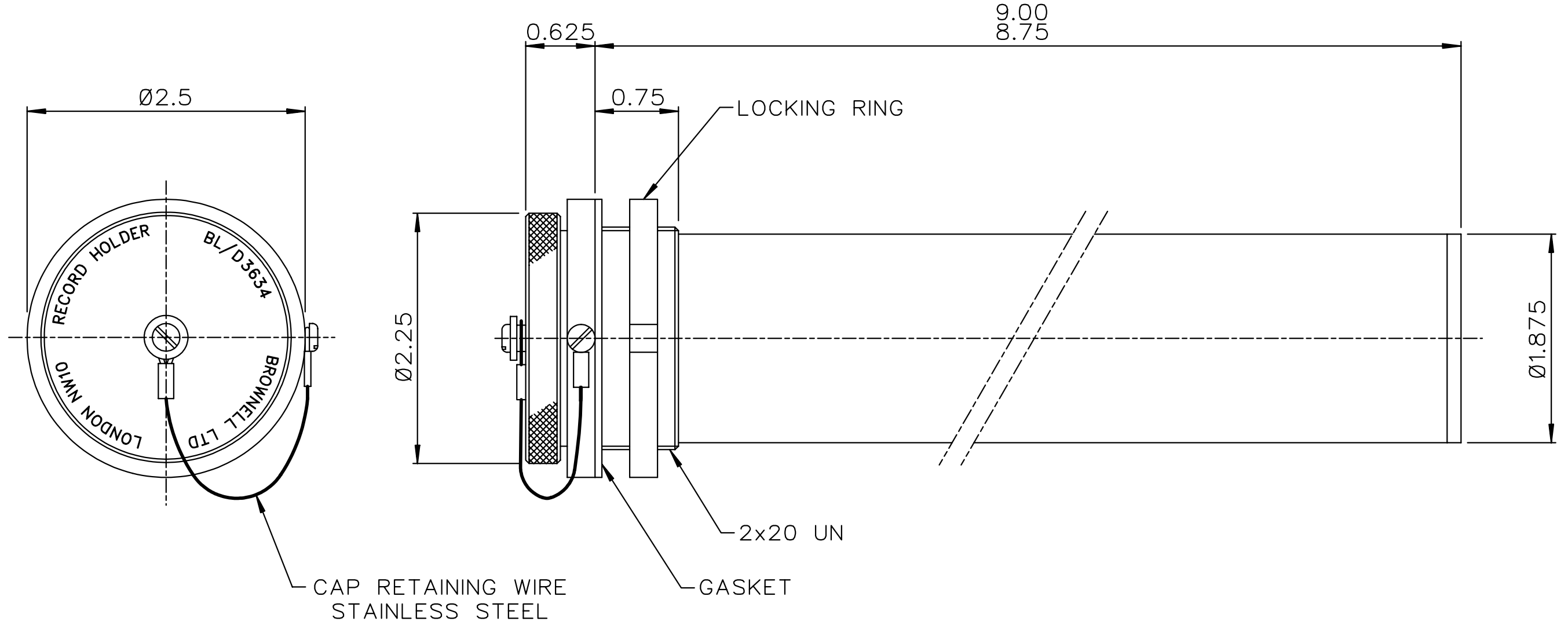
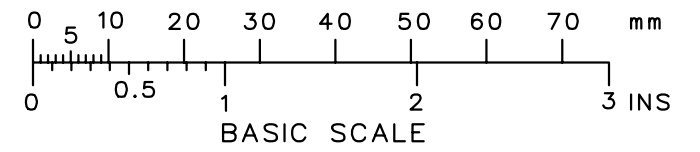
THIS DESIGN IS THE PROPERTY OF BROWNELL LTD
AND MAY NOT BE COPIED OR REPRODUCED
WITHOUT THEIR PRIOR WRITTEN PERMISSION

DRG No
BL/D 3634/01 INST
USED ON

THIRD ANGLE PROJECTION

REMOVE ALL SHARP EDGES UNLESS SPECIFIED

DO NOT SCALE - ASK



CHANGE	MOD No	ISSUE	DATE
CAP RETAINING WIRE CHANGED PRINTING DETAIL ADDED	5636	7	12/4/00
METAL VERSION ADDED	5013	6	5/2/97

MATERIAL ALUM ALLOY	PROTECTIVE TREATMENT ANODISED BLACK	TOLERANCES UNLESS STATED ± 0.062	BROWNELL LIMITED LONDON NW10		CUSTOMER REF.	DRAWN LJ	CHECKED
EST. WT. —		DIMNS IN INS/ mm SCALE (ORIGINAL) 1 : 1	TITLE 8140-99-729-7840 RECORD HOLDER		DRAWING No BL/D 3634/01 INST		