

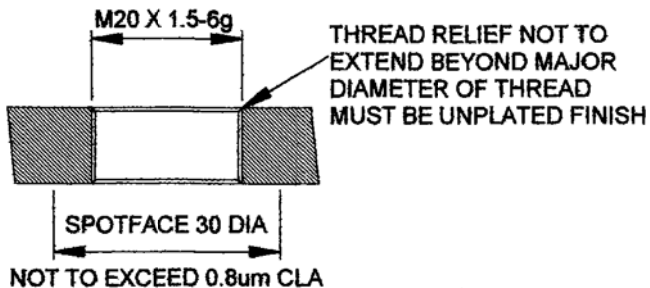
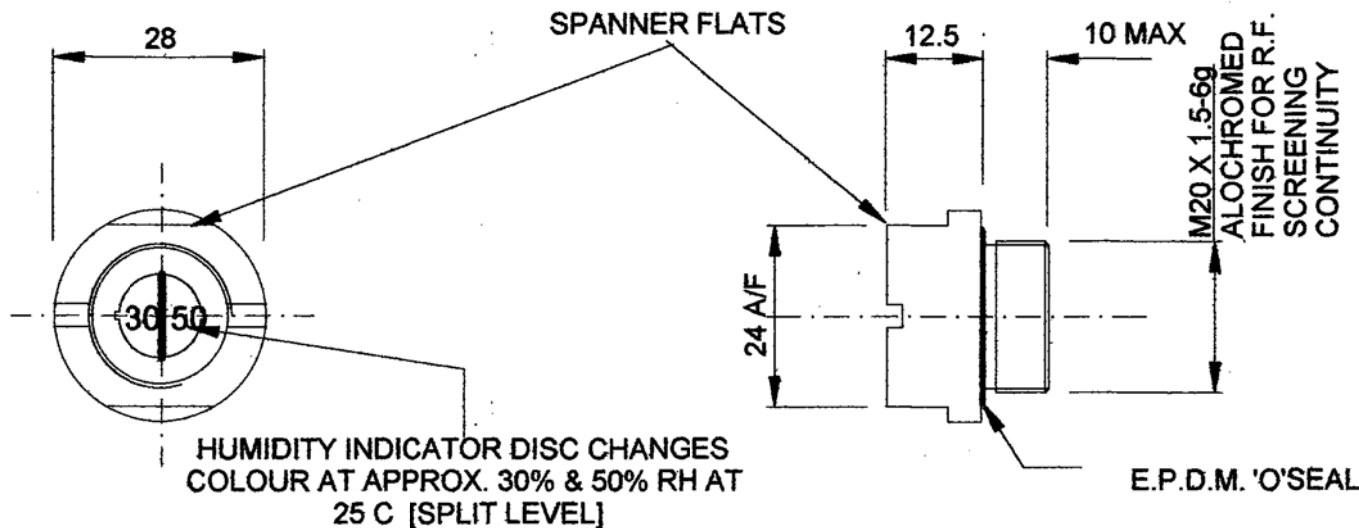
DRG.No.
BLD3722 INST

USED ON BL/

THIRD ANGLE PROJECTION

THIS DESIGN IS THE PROPERTY OF BROWNELL LTD AND MAY NOT BE REPRODUCED WITHOUT THEIR PRIOR WRITTEN PERMISSION

DO NOT SCALE - ASK



PANEL MOUNTING DETAIL

NOTES:

INTERNAL THREAD M16 X 1.0 - 6H TO FIT VARIOUS SILICA GEL FILLED DESICCANT CONTAINERS DEHUMIDIFIER

THE ITEM IS PACKAGED FOR A 5 YEAR TEMPERATE OR 3 YEAR TROPICAL SHELF LIFE IN MFL EITHER INDIVIDUALLY OR ENVELOPES HOLDING 3-

| | | | |
|--------------------|------|---|---------|
| REDRAWN | 5882 | 5 | 11-1-02 |
| LETTER 'M' DELETED | 5381 | 4 | 18-1-99 |
| IND LEVELS ADDED | 3271 | 3 | 4-8-87 |
| | 2681 | 2 | 29-2-84 |
| ORIGINAL | | 1 | 4-10-82 |

| | | | |
|-----------------|---------------------------------|---------------|-------------------------------|
| MATERIAL | PROTECTIVE TREATMENT | TOLERANCES | BROWNELL LTD.LONDON.NW10 |
| ALUMINIUM ALLOY | ANODISE & DYE BLACK & ALACHROME | EST.WT. | INDICATOR HUMIDITY PLUG |
| | | DIMNS. IN MM. | R.F.SCREENED |
| | | SCALE | STYLE RIHP3M - DEF STAN 66-14 |
| | | | 6685-99-225-3311 |
| | | | CHANGE MOD.No |
| | | | DRAWN NGH CHECKED GGH |
| | | | ISSUE DATE |
| | | | DRAWING No. |
| | | | BL/D3722 INST |