

DRG.No.

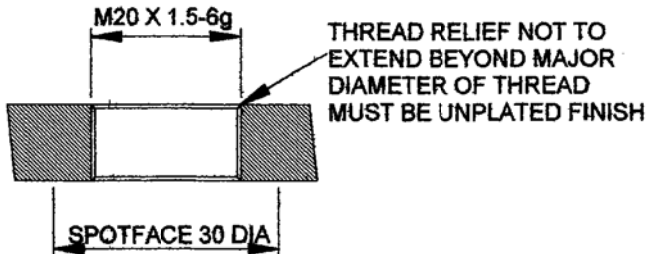
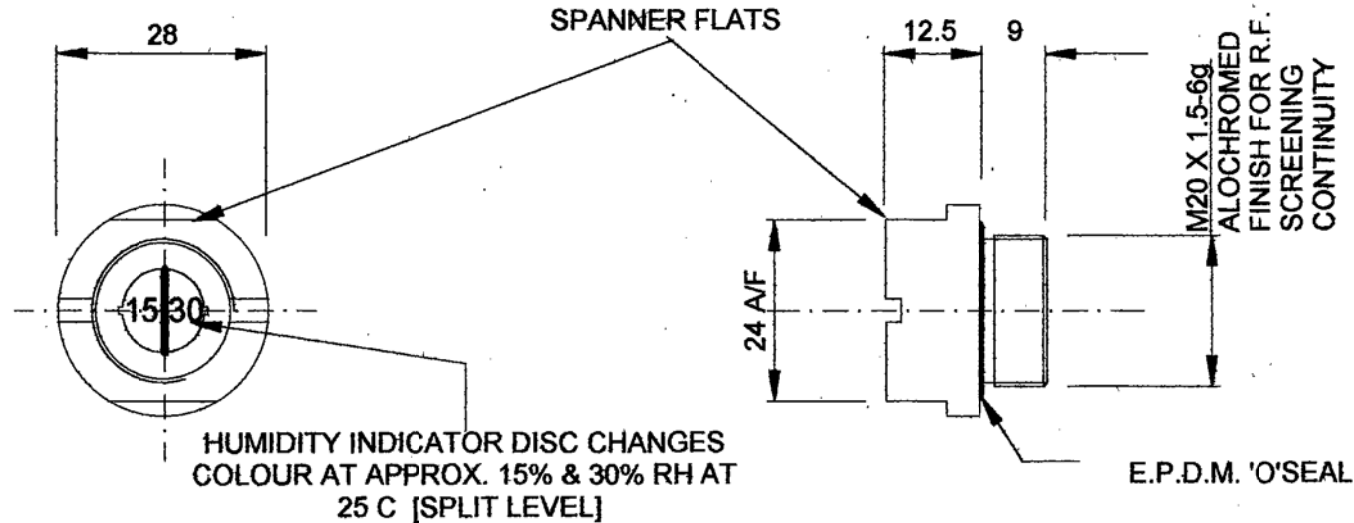
BLD3723 INST

USED ON BL/

THIRD ANGLE PROJECTION

THIS DESIGN IS THE PROPERTY OF BROWNELL LTD AND MAY NOT BE REPRODUCED WITHOUT THEIR PRIOR WRITTEN PERMISSION

DO NOT SCALE - ASK



NOT TO EXCEED 0.8um CLA

PANEL MOUNTING DETAIL

NOTES:

INTERNAL THREAD M16 X 1.0 - 6H
TO FIT VARIOUS MOLECULAR SIEVES FILLED
DESICCANT CONTAINERS DEHUMIDIFIER

THE ITEM IS PACKAGED FOR A 5 YEAR
TEMPERATE OR 3 YEAR TROPICAL
SHELF LIFE IN MFL EITHER INDIVIDUALLY
OR ENVELOPES HOLDING 3

REDRAWN	5882	4	11-1-02
LETTER 'M' DELETED	5381	3	18-1-99
IND-LEVELS ADDED	3271	2	4-8-87
ORIGINAL		1	4-10-82

MATERIAL ALUMINIUM ALLOY	PROTECTIVE TREATMENT ANODISE & DYE BLACK & ALACHROME	TOLERANCES	BROWNELL LTD.LONDON.NW10	CHANGE	MOD.No	ISSUE	DATE
		EST.WT.		DRAWN	NGH	CHECKED	GGH
		DIMNS. IN MM.	TITLE INDICATOR HUMIDITY PLUG R.F.SCREENED	DRAWING No.			
		SCALE	STYLE RIHP4M - DEF. STAN 66-14 6685-99-225-3312	BL/D3723 INST			