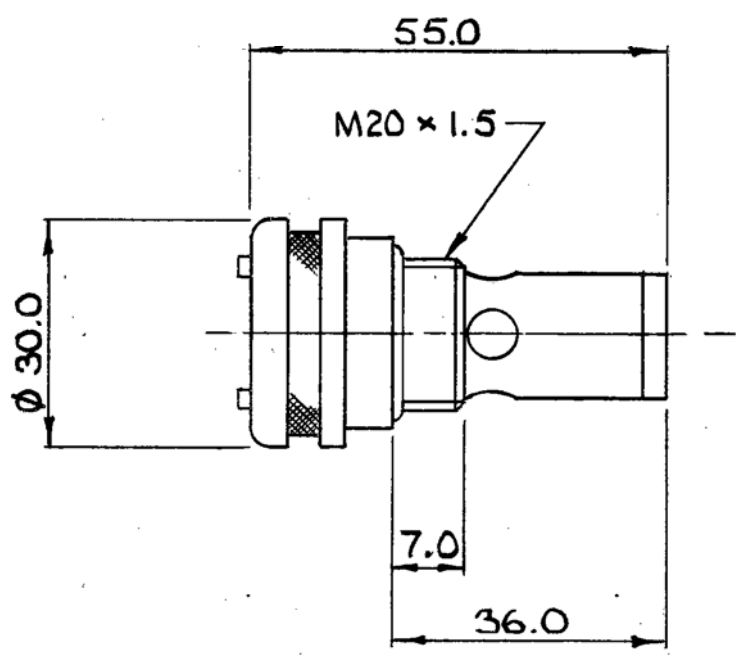


THIS DESIGN IS THE PROPERTY OF BROWNELL LTD. AND MAY NOT BE COPIED OR REPRODUCED WITHOUT THEIR PRIOR WRITTEN PERMISSION.

DRG. No.
BL/D 4140 INST.

USED ON

**THIRD ANGLE
PROJECTION**



REPLACE DESICCANT WHEN INDICATOR IS NO LONGER BLUE.
REFILL REF. No: BL/D 2431 NSN 4440-99-646-4329

NOTES

1. THREAD TO BE NATURAL FINISH FOR R.F. SCREENING CONTINUITY.
2. DESICCANT:- 4A BEADED MOLECULAR SIEVES.
3. PACKAGED FOR A SHELF LIFE OF 5 YEARS.
4. ADDITIONAL R.F. SCREEN FITTED BEHIND THE STANDARD SCREEN TO INCREASE ATTENUATION.

MATERIAL SEE DETAIL DRGS.	PROTECTIVE FINISH ANODISED (EXCEPT WHERE STATED)	NSN ADDED	4012	C	13.9.91
		7.0 WAS 10.0	2890	B	29.3.85
EST. WT. _____				A	10.8.84
DIMNS IN mm	SURFACE ROUGH _____	CHANGE	MOD. No.	ISSUE	DATE
SCALE 1/1		TOLERANCES ± 1.0			
BROWNELL LIMITED LONDON N.W.10			DRAWN JA	CHKD.	
SUB CONT.		SUB CONT. DRG. REF.			
TITLE 4440-99-144-2499 R.F. SCREENED DESICCANT - CONTAINER DEHUMIDIFIER (BREATHING TUBE)		DRAWING No. BL/D 4140 INST.			