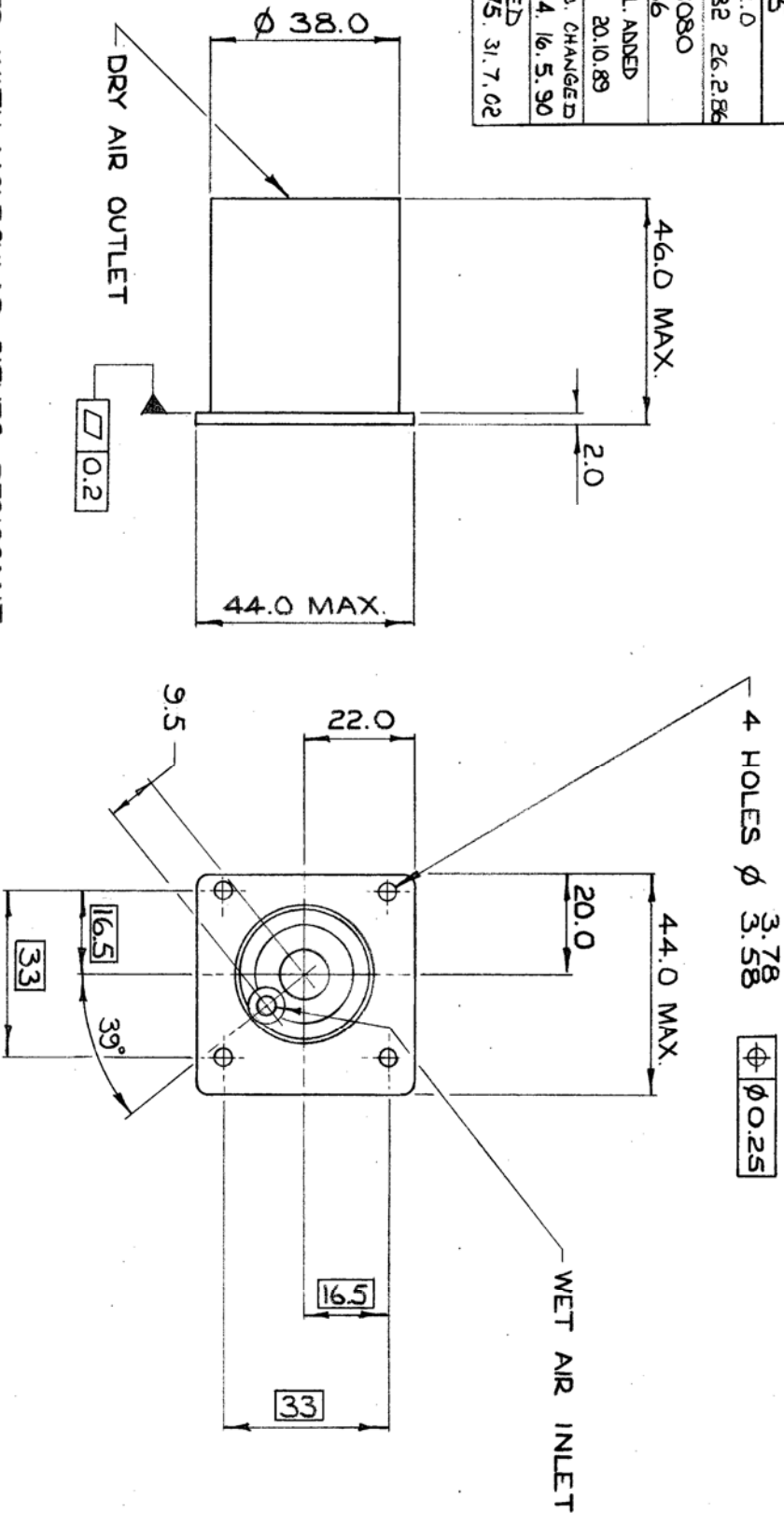
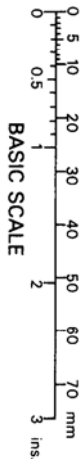


DRG. No.		BL/D 4211 INST.
USED ON	ALTERATION	
ISSUE	A	
	26.2.85	
	4.0 WAS 2.0	
B	MODN. 3032	26.2.84
C	MODN. 3080	16.6.86
D	FLATNESS TOL. ADDED	
	MODN. 3763	20.10.89
E	REFILL PT. No. CHANGED	
	MODN. 3844	16.5.90
F	NSN ADDED	
	MODN. 5975	31.7.02

REMOVE ALL SHARP EDGES UNLESS SPECIFIED.

THIRD ANGLE PROJECTION

DO NOT SCALE - ASK.



NOTES

1. FILLED WITH MOLECULAR SIEVES DESICCANT
2. PACKAGED FOR A SHELF-LIFE OF 5 YEARS
3. FOLLOWING ITEMS ARE SUPPLIED WITH THE DESICCATOR :-  
 Y HUMIDITY INDICATOR DISC - PT. No. BL/D 4454  
 IY BACKING DISC - PT. No. BL/D 4455  
 IIV R.F. SCREEN - PT. No. BL/D 4456
4. REFILL PT. No. BL/D 4568

MATERIAL	PROTECTIVE TREATMENT	TOLERANCES UNLESS STATED	TITLE	CUSTOMERS REF.	DRAWN	CHECKED
ALUM. ALLOY	ALCOCHROM 1200	± 0.25	BROWNELL LTD. LONDON, N.W.10.		JA	
EST. WT.	D STAN 03-18/1	DIMNS. IN <del>4/16</del> /m.m.	4440-99-227-6009 DESICCANT CONTAINER DEHUMIDIFIER (FORE - BODY)	DRAWING No.		
		SCALE (ORIGINAL) 1 / 1		BL/D 4211 INST.		