

DRG. No.

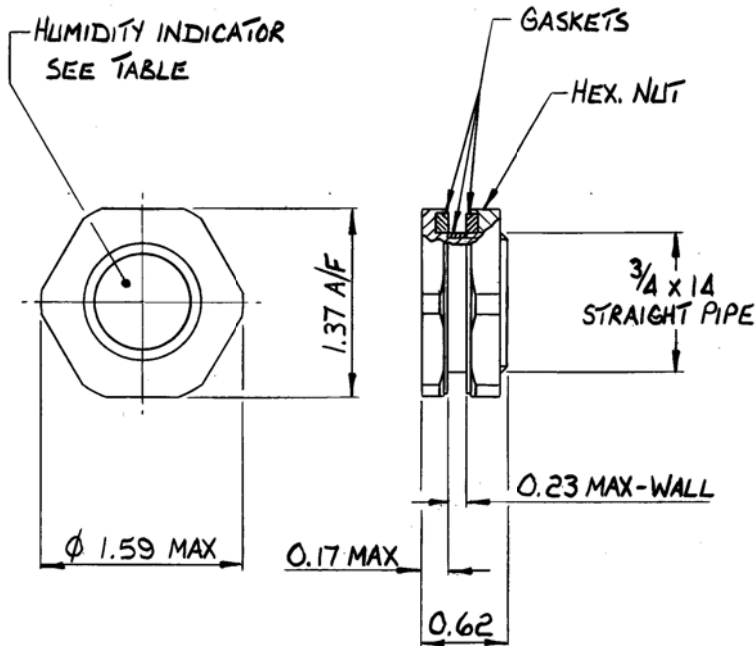
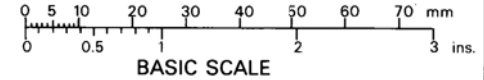
BL/D 4331/1-3 INST

USED ON

REMOVE ALL SHARP EDGES UNLESS SPECIFIED.

THIRD ANGLE PROJECTION

DO NOT SCALE - ASK.



NOTES

1. REQUIRED MOUNTING HOLE $1.05^{+0.01}_{-0.0}$ DIA. IN A RIGID OR FLEXIBLE PANEL.
2. HUMIDITY INDICATOR DISC CAN BE REPLACED USING A 0.5 A/F HEX. KEY.
3. CONFORMS TO DEF. STAN. 66-14 WHERE APPLICABLE.

DRG. No.	INDICATOR LEVELS AT 25°C
BL/D 4331/1	15 & 30% RH (SPLIT LEVEL)
BL/D 4331/2	30 & 50% RH (SPLIT LEVEL)
BL/D 4331/3	40% RH (SINGLE LEVEL)

THIS DESIGN IS THE PROPERTY OF BROWNELL LTD. AND MAY NOT BE COPIED OR REPRODUCED WITHOUT THEIR PRIOR WRITTEN PERMISSION.

TOL. ADDED - MOUNTS HOLE DIA	3771	C	20.11.89
REDRAWN	3554	B	16.9.88
CHANGE	MOD. No.	ISSUE	DATE

MATERIAL ALUM. ALLOY	PROTECTIVE TREATMENT CLEAR ANODISE	TOLERANCES UNLESS STATED	BROWNELL LTD. LONDON, N.W.10.	CUSTOMERS REF.	DRAWN US	CHECKED JA
EST. WT. —	DIMNS. IN INS/ mm	SCALE (ORIGINAL) 1-1	TITLE HUMIDITY INDICATOR PLUG	DRAWING No. BL/D 4331/1-3 INST		