

DRG. No.

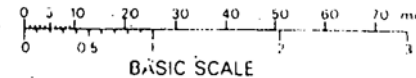
BL/D4624

USED ON

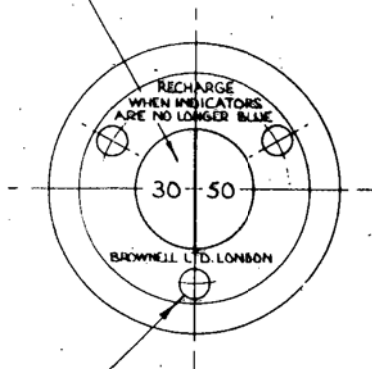
THIRD ANGLE PROJECTION

REMOVE ALL SHARP EDGES UNLESS SPECIFIED.

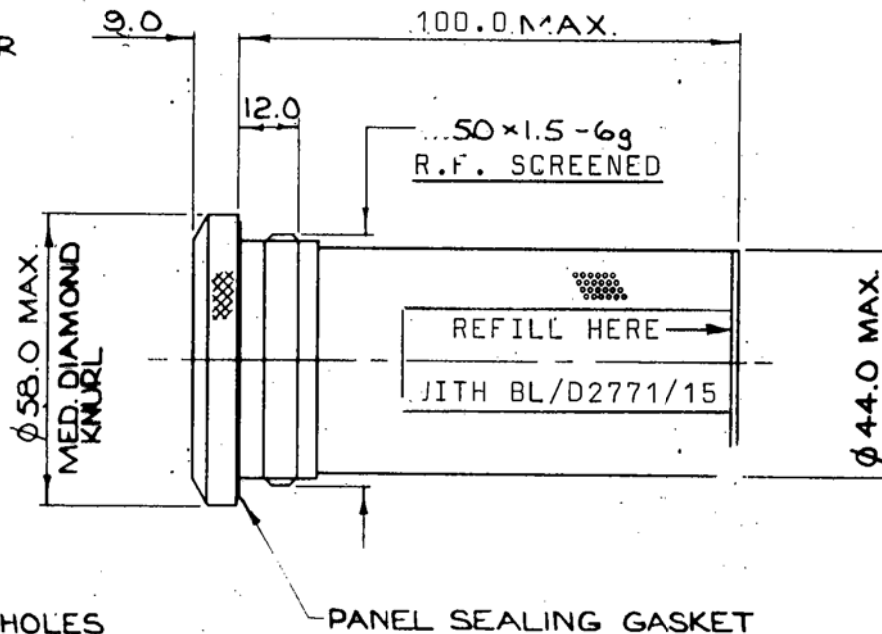
DO NOT SCALE - ASK



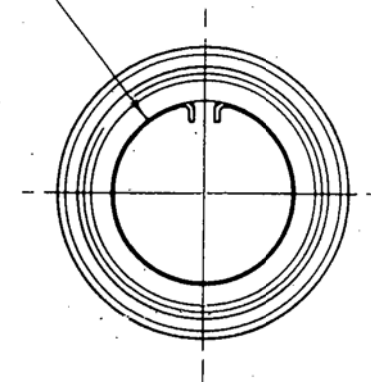
SPLIT LEVEL INDICATOR
30 & 50% RH AT 25°C



φ 6.0 PIN SPANNER HOLES
EQUISPACED ON 38.0 PCD



CIRCLIP AND FILTER DISC
REMOVED TO RECHARGE
WITH DESICCANT



THIS DESIGN IS THE PROPERTY OF BROWNELL LTD. AND MAY NOT BE COPIED OR REPRODUCED WITHOUT THEIR PRIOR WRITTEN PERMISSION.

INDIVIDUALLY PACKAGED FOR A SHELF LIFE OF 5 YEARS
DESICCATOR HEAD FINISHED WITH P.T.F.E./NICKEL
EXPOSED SURFACES PAINTED BLACK
REFILL PART No. BL/D2771/15 NSN. 4440-99-225-3321
DESICCANT CONTENT 100G BEADED SILICA GEL TO SPEC. TS10208

| | | | |
|--------|----------|-------|--------|
| | | | |
| | | | |
| | | 1 | 3-2-87 |
| CHANGE | MOD. No. | ISSUE | DATE |

| | | | | | | | |
|-------------|------------------------------|--------------------------------|-------|---|----------------|----------|---------|
| MATERIAL | PROTECTIVE TREATMENT | TOLERANCES UNLESS STATED | ± 1.0 | BROWNELL LTD. LONDON, N.W.10. | CUSTOMERS REF. | DRAWN | CHECKED |
| ALUM. ALLOY | ANODISED EXCEPT WHERE STATED | DIMNS. IN mm / m.m. | | TITLE R.F. SCREENED DESICCANT CONTAINER DEHUMIDIFIER (PANEL MOUNTING) | | GH. | |
| EST. WT | | SCALE (ORIGINAL) | 1 - 1 | | DRAWING No. | BL/D4624 | |