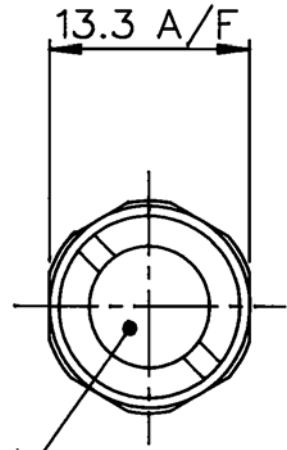
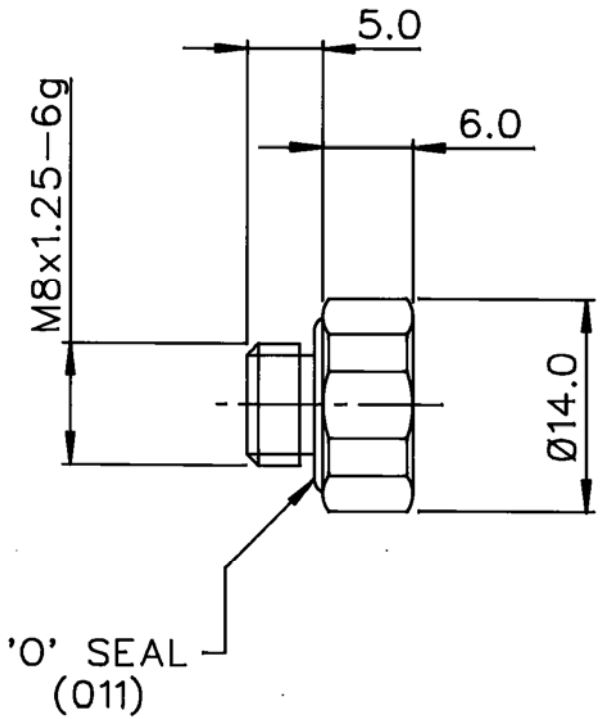


THIS DESIGN IS THE PROPERTY OF BROWNELL LTD AND MAY NOT BE COPIED OR REPRODUCED WITHOUT THEIR PRIOR WRITTEN PERMISSION

DRG No
BL/D 4857/01-04 INST
USED ON

THIRD ANGLE
PROJECTION



SPLIT LEVEL INDICATOR
SEE TABLE

NOTES

CONFORMS TO DEF STAN 66-14 WHERE APPLICABLE.
INDICATOR IS PRESSURE TESTED AT 14 PSI.

DRG No	INDICATOR LEVELS AT 25 °C	NATO STOCK NUMBER	R. F. SCREENED
BL/D4857/01	30 & 50% RH	6685-99-126-4409	NO
BL/D4857/02	15 & 30% RH		NO
BL/D4857/03	15 & 30% RH		YES
BL/D4857/04	30 & 50% RH		YES

MATERIAL BRASS	PROTECTIVE FINISH NICKEL FLASH CAD & PAS	/03 & /04 ADDED - REDRAWN	5613	E	6/3/00
		NSN ADDED - /01	5086	D	18/6/97
		14 PSI WAS 5 PSI	4718	C	20/6/95
		15/30 RH LEVEL ADDED	4538	B	16/8/94
				A	28/1/88
EST. WT. —		CHANGE	MOD No	ISSUE	DATE
DIMNS IN mm	SURFACE ROUGHNESS	TOLERANCES			
SCALE 2 : 1	—	±0.5			

BROWNELL LIMITED LONDON NW10

DRAWN LJ
CHKD A

SUB CONT.	SUB CONT. DRG REF.
TITLE HUMIDITY INDICATOR	DRAWING No BL/D 4857/01-04 INST