

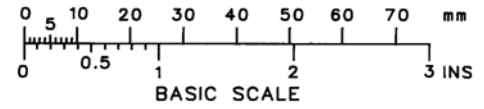
THIS DESIGN IS THE PROPERTY OF BROWNELL LTD AND MAY NOT BE COPIED OR REPRODUCED WITHOUT THEIR PRIOR WRITTEN PERMISSION

DRG No
BL/D 5000/01-05 INST
USED ON

THIRD ANGLE PROJECTION

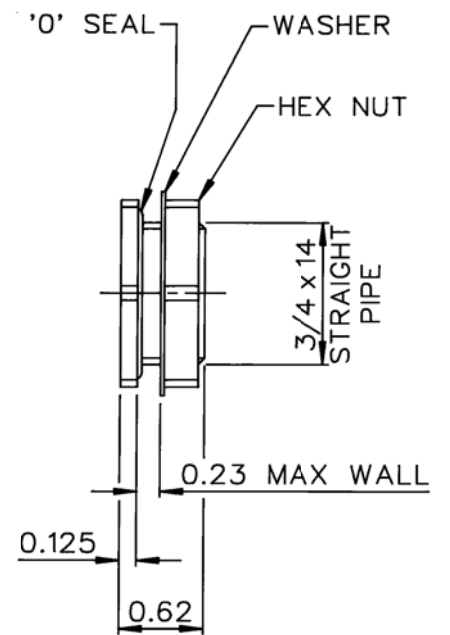
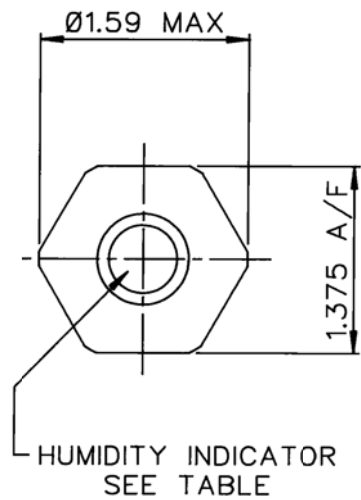
REMOVE ALL SHARP EDGES UNLESS SPECIFIED

DO NOT SCALE - ASK



NOTES

1. MOUNTING HOLE: 1.05 DIA.
2. R.F. SCREENED VERSION BL/D5000/01 - HEX NUT, WASHER & THREAD ARE NATURAL FINISH FOR R.F. SCREENING CONTINUITY. THE AREA INSIDE THE CONTAINER WHICH IS IN CONTACT WITH THE MOUNTING WASHER MUST HAVE A CONDUCTIVE FINISH TO ENSURE R.F. SCREENING CONTINUITY.
3. CONFORMS TO DEF STAN 66-14 WHERE APPLICABLE.



| DRG No | NATO STOCK NUMBER | PROTECTIVE FINISH | INDICATOR LEVELS AT 25 °C |
|-------------|-------------------|--|---------------------------|
| BL/D5000/01 | 6685-99-747-9497 | ANODISED BLACK R.F. SCREENED - SEE NOTE 2 | 30 & 50% RH |
| BL/D5000/02 | 6685-99-862-3061 | ANODISED BLACK | 30 & 50% RH |
| BL/D5000/03 | | ANODISED BLACK | 15 & 30% RH |
| BL/D5000/04 | | ANODISED BLACK | 40 & 60% RH |
| BL/D5000/05 | | ANODISED BLACK | 10, 20 & 30% RH |

| | | | |
|------------------------------------|--------|-------|---------|
| /01 - ANODIC FINISH CHANGED | 5945 | J | 10/6/02 |
| /05 ADDED ANODIC FINISH CHANGED | 5917 | I | 7/3/02 |
| /04 ADDED | 5811 | H | 6/6/01 |
| NSN ADDED - /02 | 5561 | G | 1/12/99 |
| NSN ADDED - /01 | 4843 | F | 15/1/96 |
| /03 ADDED | 4654 | E | 6/3/95 |
| REDRAWN - /02 ADDED | 4648 | D | 14/2/95 |
| CHANGE | MOD No | ISSUE | DATE |

| | | | | | | |
|------------------------|--------------------------------|------------------------------------|----------------------------------|------------------------------------|-------------|------------------------|
| MATERIAL ALUM ALLOY | PROTECTIVE FINISH SEE TABLE | TOLERANCES UNLESS STATED ±0.030 | BROWNELL LIMITED LONDON NW10 | CUSTOMER REF. | DRAWN LJ | CHECKED [Signature] |
| EST. WT. — | | DIMNS IN INS/ [Symbol] | TITLE HUMIDITY INDICATOR PLUG | DRAWING No BL/D 5000/01-05 INST | | |
| | | SCALE (ORIGINAL) 1 : 1 | | | | |