

DRG.No.

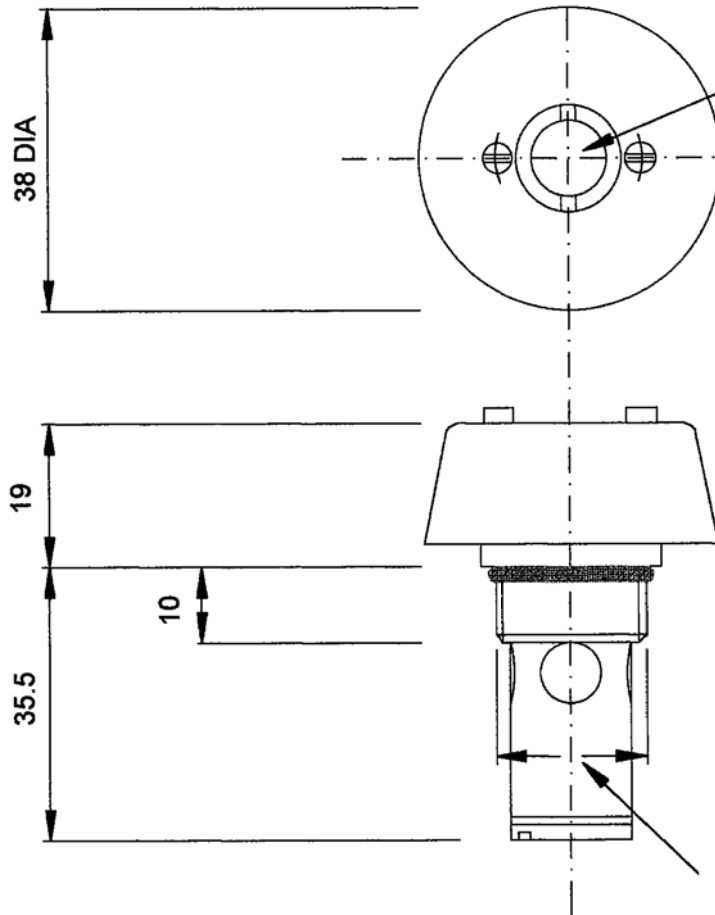
BL/D5055/01-04 INST

THIRD ANGLE PROJECTION

THIS DESIGN IS THE PROPERTY OF BROWNELL LTD AND MAY NOT BE REPRODUCED WITHOUT THEIR PRIOR WRITTEN PERMISSION

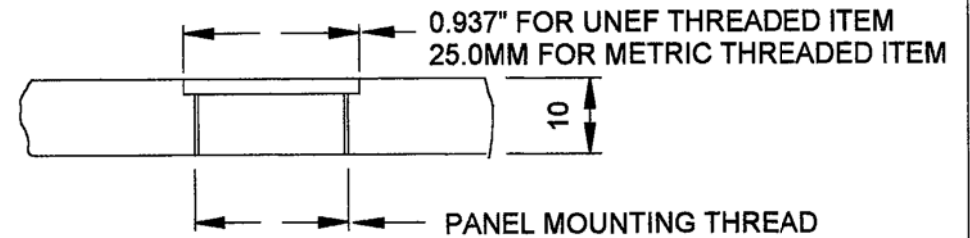
DO NOT SCALE - ASK

USED ON BL/



NOTES:-

1. SPLIT-LEVEL HUMIDITY INDICATOR
15%-30% FOR MOLSIEVES DESICCANT
30%-50% FOR SILICA GEL DESICCANT
2. TO ENSURE RF SCREENING CONTINUITY
THE EQUIPMENT THREAD MUST BE
EITHER BARE METAL OR ALOCHROMED



PANEL MOUNTING DETAILS

Drawing No.	Desiccant	Panel Thread
BLD5055/01	Silica Gel	3/4"x20UNEF
BLD5055/02	Molsieves	3/4"x20UNEF
BLD5055/03	Silica Gel	M20x1.5-6g
BLD5055/04	Molsieves	M20x1.5-6g

PANEL MOUNTING THREAD
NATURAL FINISH OR ALOCHROME
FOR RF CONTINUITY
SEE TABLE FOR SIZE

CHANGE	MOD.No.	ISSUE	DATE
ANODIC COLOURS ADDED	5623	3	7-3-00
METRIC THREAD ADDED		2	15-3-90
ORIGINAL		1	27-9-82

MATERIAL
SEE DETAIL DRAWINGS

PROTECTIVE TREATMENT
METAL PARTS
ANODISE & DYE
HEAD BLUE/BLACK
BODY GREEN

TOLERANCES

EST. WT.

DIMNS. IN INS & MM

SCALE 1 : 1

BROWNELL LTD.LONDON.NW10

TITLE
RF SCREENED DESICCANT CONTAINER
DEHUMIDIFIER (BREATHING TUBE)

DRAWN NGH | CHECKED GGH

DRAWING No.
BL/D5055/01-04 INST