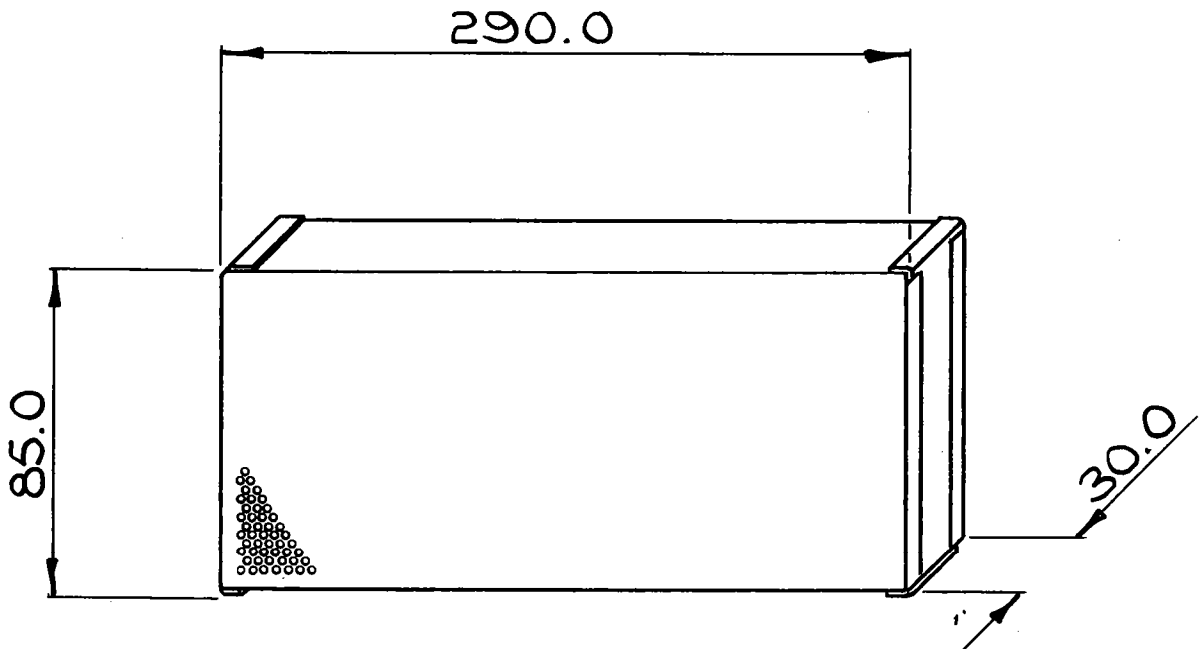


DRG. No.

BL/D 5406 INST

THIRD ANGLE
PROJECTION

USED ON



NOTES

FILLED WITH MOLECULAR SIEVES DESICCANT, GRADE 4A,
1/16" PELLETS (USA SOURCED).

PACKAGING

INNER PRIMARY - WRAP WITH KRAFT PAPER.

PACK WITH INDICATOR PAPER IN 500 GAUGE POLYETHYLENE
ENVELOPE & HEAT SEAL.

OUTER - FIBREBOARD CARTON.

MATERIAL ALUM ALLOY SHEET 22 SWG - PERF.	PROTECTIVE FINISH ANODISED & DYED LIGHT BLUE	DES. CHANGED	5068	C	19.5.97
		1/8" PELLETS ADDED	4383	B	10.12.93
				A	23.10.89
EST. WT. —		CHANGE	MOD. No.	ISSUE	DATE
DIMNS IN mm	SURFACE ROUGH	TOLERANCES PROFILE ± 1.0			
SCALE —	—				
BROWNELL LIMITED LONDON N.W.10			DRAWN JA	CHKD. LB	
SUB CONT.		SUB CONT. DRG. REF.			
TITLE DESICCANT CONTAINER DEHUMIDIFIER (STATIC)		DRAWING No. BL/D 5406 INST			

THIS DESIGN IS THE PROPERTY OF BROWNELL LTD.
AND MAY NOT BE COPIED OR REPRODUCED
WITHOUT THEIR PRIOR WRITTEN PERMISSION.