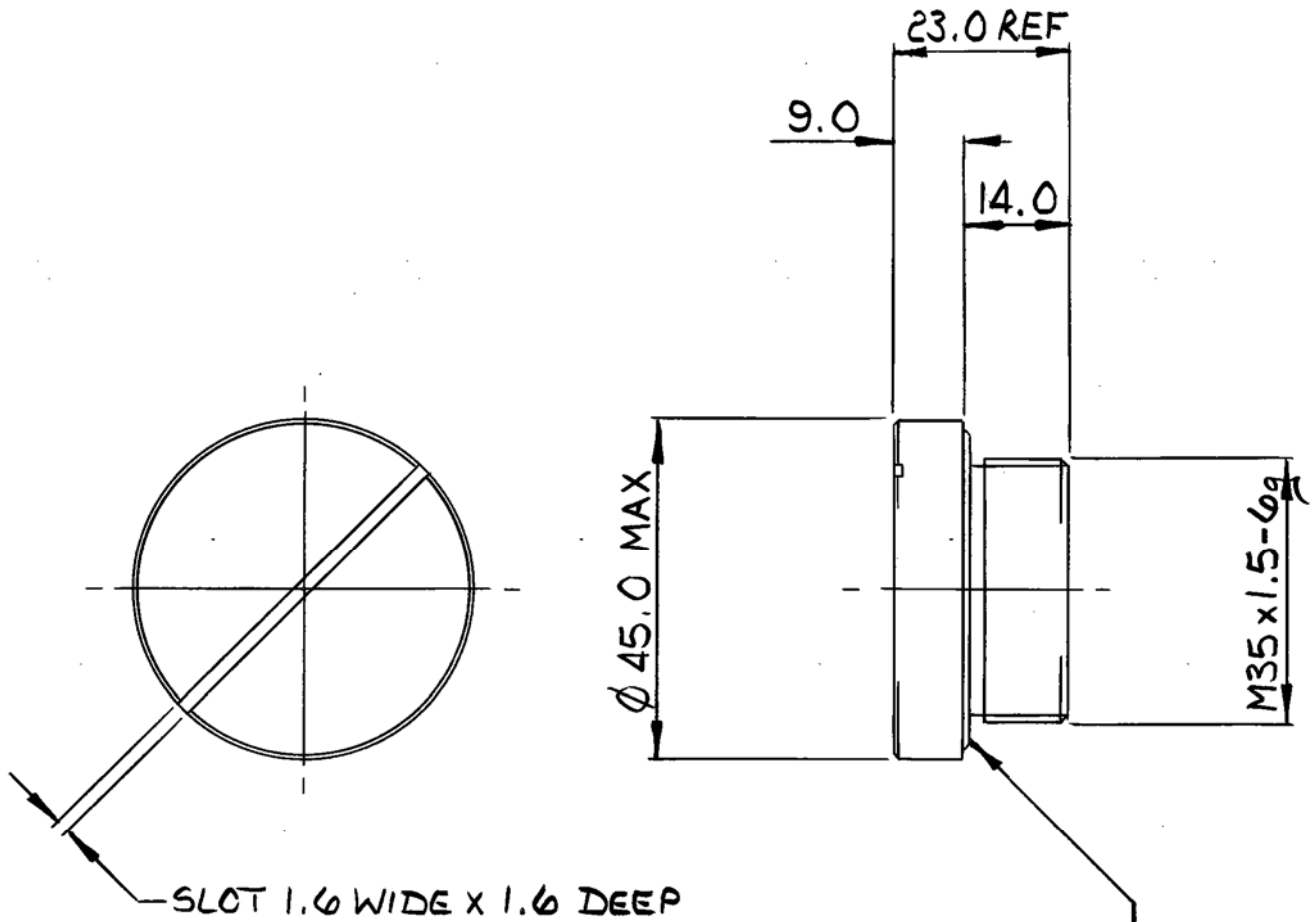


DRG. No.  
BL/D 5523 INST

THIRD ANGLE  
PROJECTION

USED ON



SLOT 1.6 WIDE X 1.6 DEEP

NITRILE 'O' SEAL TO BS4518  
40°-50° SHORE HARDNESS

THIS DESIGN IS THE PROPERTY OF BROWNELL LTD.  
AND MAY NOT BE COPIED OR REPRODUCED  
WITHOUT THEIR PRIOR WRITTEN PERMISSION.

MATERIAL ALUM. ALLOY	PROTECTIVE FINISH ANODISED TO DEF STAN 03-25 & DYED BLACK				
EST. WT. —		23.0 REF DIMN ADDED ANODISING SPEC. ADDED REDRAWN.	5279 3912	C B	8.7.98 7.11.90
DIMNS IN mm	SURFACE ROUGH	TOLERANCES	±0.5		
SCALE 1-1	—		CHANGE	MOD. No.	ISSUE DATE
BROWNELL LIMITED LONDON N.W.10			DRAWN	CHKD.	
SUB CONT. —			SUB CONT. DRG. REF. —		
TITLE BLANKING PLUG			DRAWING No. BL/D 5523 INST		