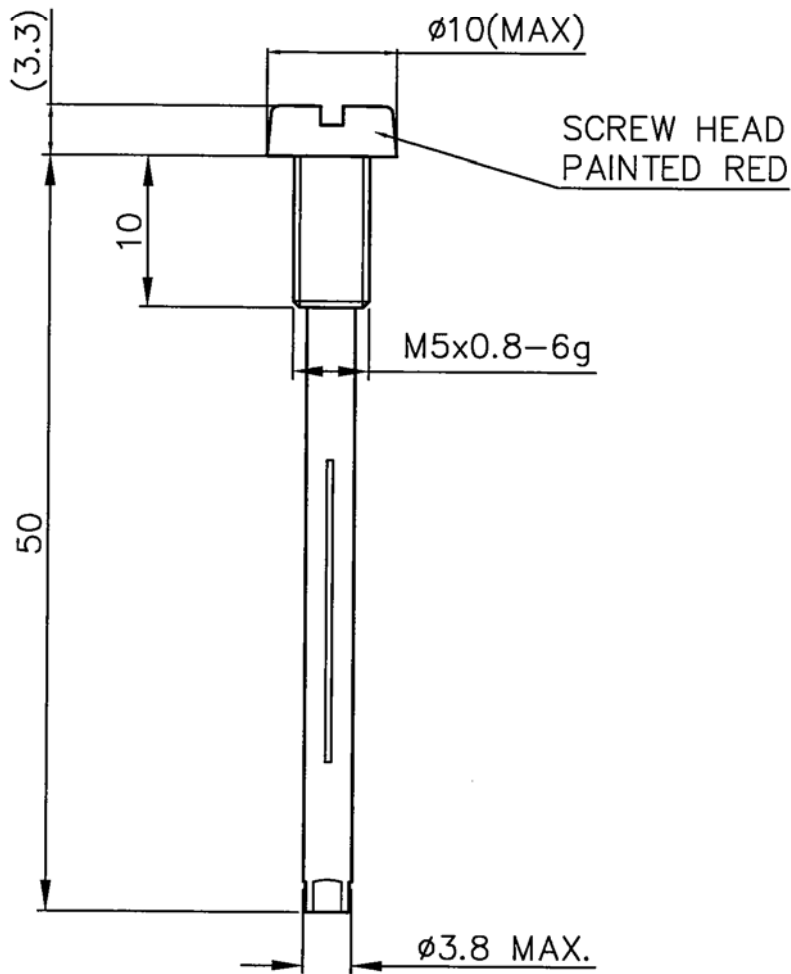


DRG No  
BL/D5819 INST  
USED ON

THIRD ANGLE PROJECTION



NOTES :-

- 1) FILLED WITH MOLECULAR SIEVES DESICCANT, GRADE 4A - SPEC. BS7444.
- 2) PACKAGED FOR A SHELF LIFE OF 5 YEARS, WHEN STORED IN TEMPERATE CONDITIONS.

THIS DESIGN IS THE PROPERTY OF BROWNELL LTD, AND MAY NOT BE COPIED OR REPRODUCED WITHOUT THEIR PRIOR WRITTEN PERMISSION

MATERIAL ST.ST. SCREW & ALUMINIUM ALLOY DESICCATOR	PROTECTIVE FINISH Z&PASS SCREW, ANODISED & DYED BLACK DESICCANT TUBE	REDRAWN	6086	B	22-03-04
		ORIGINAL		A	25-09-91
EST. WT. _____	SURFACE ROUGHNESS _____	CHANGE	MOD No	ISSUE	DATE
DIMS IN MM	_____	TOLERANCES _____			
SCALE 2:1	_____	_____			
 RED DOT = ORIGINAL  BLACK DOT = COPY	<b>BROWNELL LTD</b> LONDON NW10 7XF		DRAWN PK	CHECKED 	
TITLE DESICCANT CONTAINER DEHUMIDIFIER-PANEL MOUNTING			DRAWING No. BL/D5819 INST		