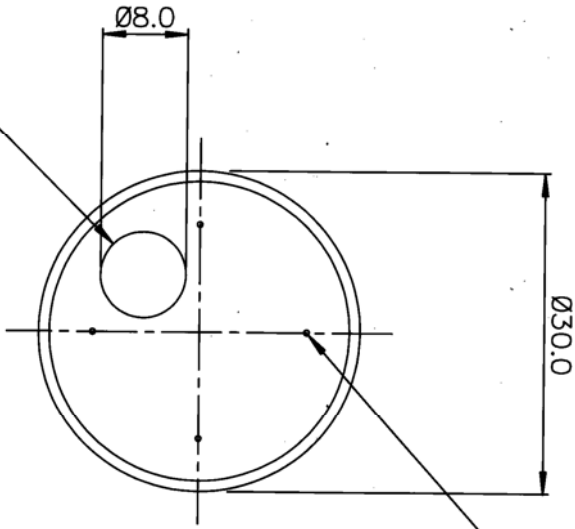
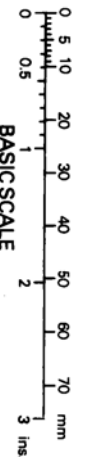


DRG. No. BL/D 5891 INST

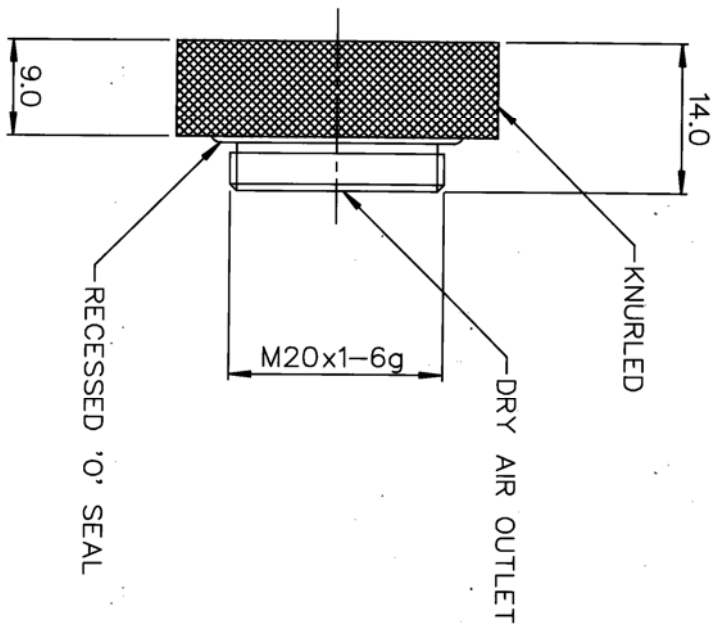
THIRD ANGLE PROJECTION

REMOVE ALL SHARP EDGES UNLESS SPECIFIED

DO NOT SCALE - ASK



SPLIT LEVEL HUMIDITY INDICATOR  
15 & 30% RH AT 25°C



- NOTES
1. CONTAINS APPROX 2 GRMS MOLECULAR SIEVES DESICCANT, SPEC. BS7444.
  2. BREATHING FLOW RATE: 50cc/min AT 4" Wg.
  3. CONFORMS TO DEF STAN 44-2 WHERE APPLICABLE.
  4. PACKAGED FOR A SHELF LIFE OF 5 YEARS WHEN STORED IN TEMPERATE CONDITIONS.

MATERIAL	PROTECTIVE TREATMENT	TOLERANCES UNLESS STATED	TITLE	
ALUM ALLOY	ANODISED BLACK	±0.2	BROWNELL LTD. LONDON, N.W.10.	
EST. WT. —		DIMNS. IN <del>mm</del> /m.m.	DESICCANT CONTAINER DEHUMIDIFIER (BREATHER)	
		SCALE(ORIGINAL) 2 : 1	DRAWING No. BL/D 5891 INST	

CUSTOMERS REF.	DRAWN	CHECKED	
	LJ	KZ	
FLOW RATE CHANGED	4761	3	29/8/95
REDRAWN	4154	2	14/9/92
CHANGE	MOD No.	ISSUE	DATE