

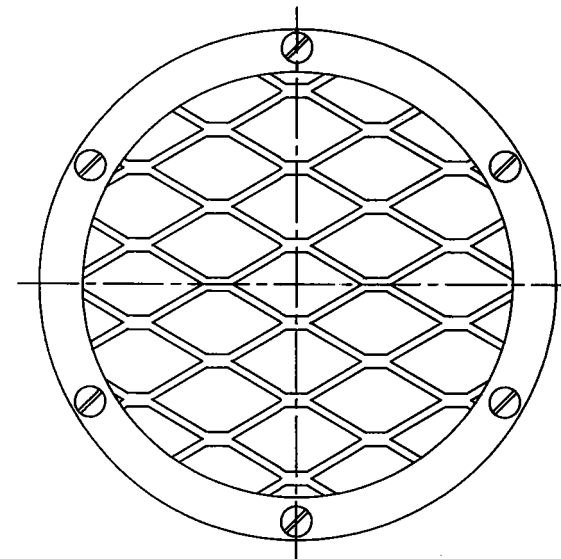
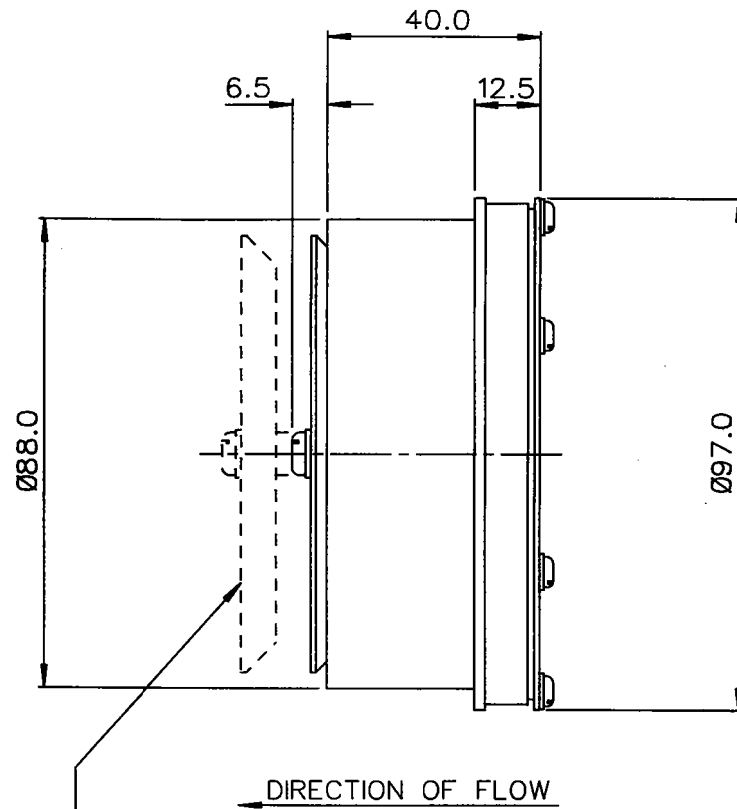
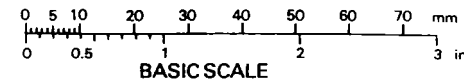
THIS DESIGN IS THE PROPERTY OF BROWNELL LTD. AND MAY NOT BE COPIED OR REPRODUCED WITHOUT THEIR PRIOR WRITTEN PERMISSION.

DRG. No.
BL/D 6001 INST
USED ON

REMOVE ALL SHARP EDGES UNLESS SPECIFIED.

THIRD ANGLE PROJECTION

DO NOT SCALE - ASK.



VALVE IN FULLY OPEN POSITION
NOMINAL MOVEMENT 13.0

OPENING PRESSURE: 150 mbar
NOMINAL FLOW RATE: 1000 SCFM AT 2.5 PSI

POPET & FINISH CHANGED	4899	B	30/4/96
		A	15/6/91
CHANGE	MOD. No.	ISSUE	DATE

MATERIAL	PROTECTIVE TREATMENT	TOLERANCES UNLESS STATED	±1.0
FLANGE & BODY ALUM ALLOY GUARD - M. STEEL	ALUM ALLOY ANODISED BLACK M. STEEL ZINC & PASS PAINTED BLACK	DIMNS. IN mm/m.m.	
EST. WT. -		SCALE (ORIGINAL)	1 : 1

BROWNELL LTD. LONDON, N.W.10.

TITLE

RELIEF VALVE MODULE

CUSTOMERS REF.

DRAWN
LJ

CHECKED
K

DRAWING No.

BL/D 6001 INST