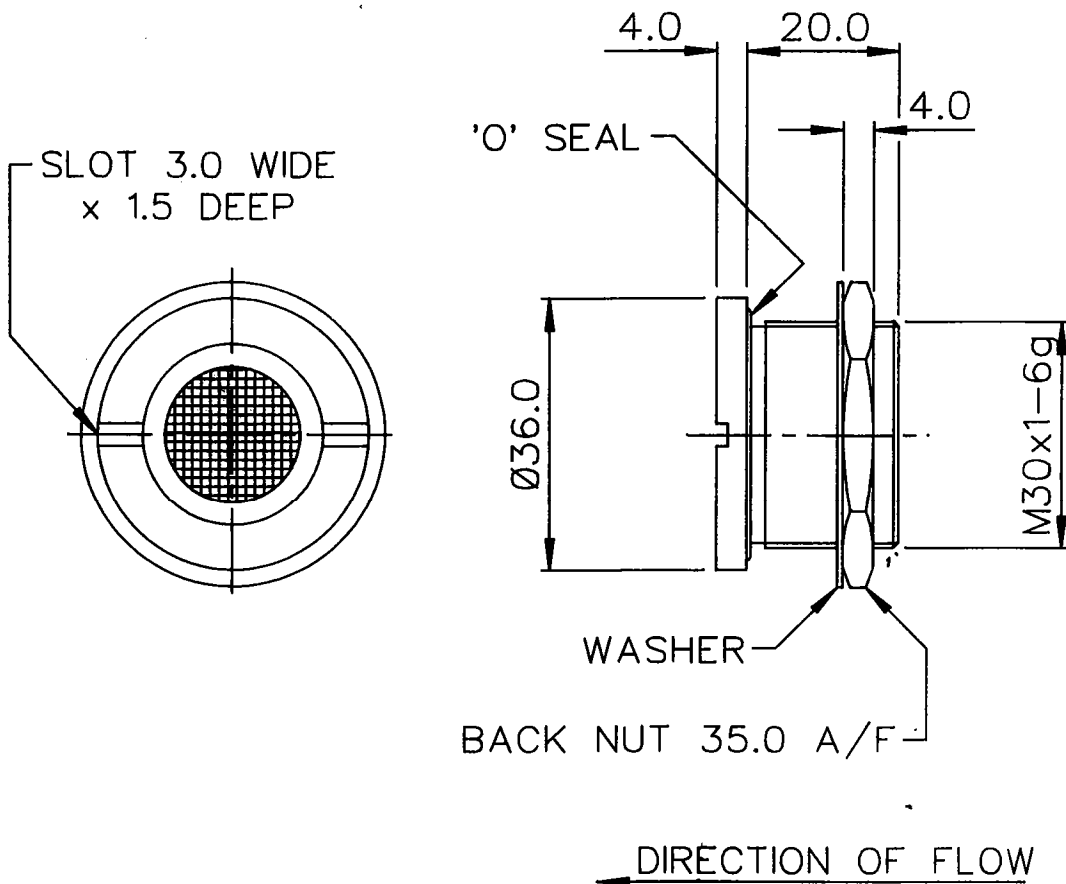


DRG. No.

BL/D 6189 INST

THIRD ANGLE
PROJECTION

USED ON



THIS DESIGN IS THE PROPERTY OF BROWNELL LTD. AND MAY NOT BE COPIED OR REPRODUCED WITHOUT THEIR PRIOR WRITTEN PERMISSION.

OPENING PRESSURE: 0.5 PSI (FULLY OPEN BY 0.75 PSI).
LEAK RATE LESS THAN 1 cc/HOUR.

MATERIAL HOUSING ALUM ALLOY	PROTECTIVE FINISH ANODISED BLACK				
EST. WT. —				A	13/1/93
DIMNS IN mm	SURFACE ROUGH —	TOLERANCES	±0.5	CHANGE	MOD. No. ISSUE DATE
SCALE 1 : 1					
BROWNELL LIMITED LONDON N.W.10				DRAWN LJ	CHKD. K -
SUB CONT. —		SUB CONT. DRG. REF. —			
TITLE RELIEF VALVE — OUTWARD		DRAWING No. BL/D 6189 INST			