

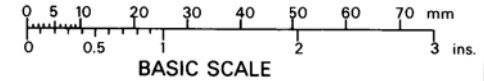
THIS DESIGN IS THE PROPERTY OF BROWNELL LTD. AND MAY NOT BE COPIED OR REPRODUCED WITHOUT THEIR PRIOR WRITTEN PERMISSION.

DRG. No.  
BL/D 6190 INST  
USED ON

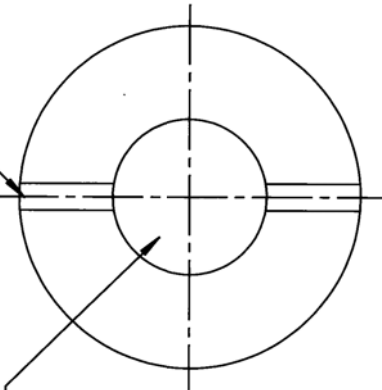
REMOVE ALL SHARP EDGES UNLESS SPECIFIED.

THIRD ANGLE PROJECTION

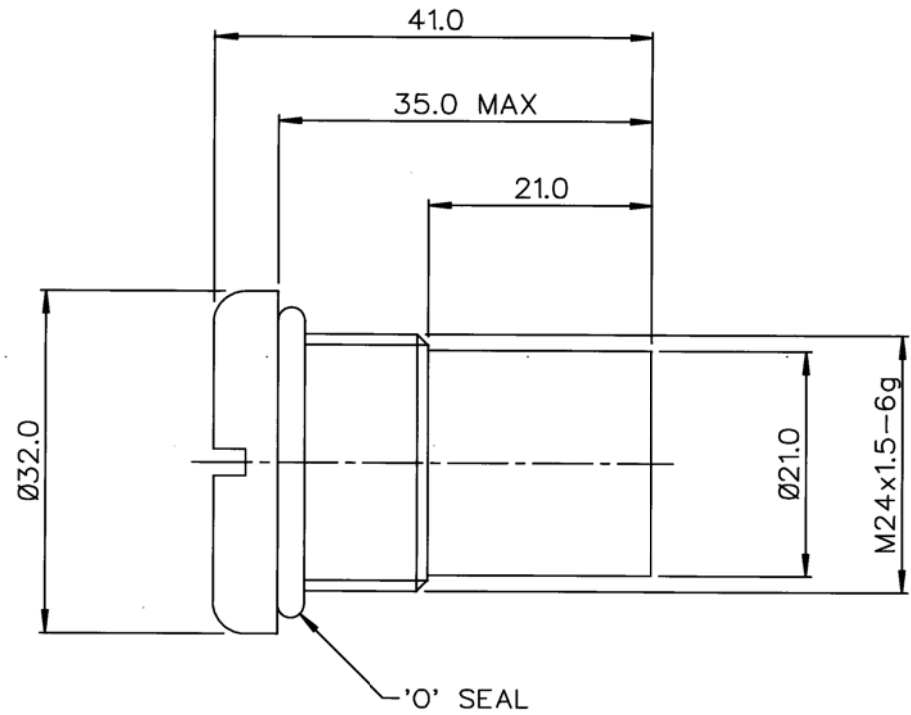
DO NOT SCALE - ASK.



SLOT 2.5 WIDE x 3.0 DEEP



HUMIDITY INDICATOR  
40% RH AT 25 °C



NOTES

1. CONTAINS APPROX. 5 GRMS MOLECULAR SIEVES DESICCANT, GRADE 4A, SPEC. BS7444.
2. MATERIAL: BODY - POLYACETAL BLACK. SIGHT WINDOW - CLEAR POLYCARBONATE.
3. PACKAGED FOR A SHELF LIFE OF 5 YEARS WHEN STORED IN TEMPERATE CONDITIONS.

		A	21/12/92
CHANGE	MOD. No.	ISSUE	DATE

MATERIAL SEE NOTE 2	PROTECTIVE TREATMENT -	TOLERANCES UNLESS STATED	±0.3	BROWNELL LTD. LONDON, N.W.10.	CUSTOMERS REF.	DRAWN LJ	CHECKED IK
		DIMNS. IN <del>INS</del> /m.m.					
EST. WT. -		SCALE (ORIGINAL)	2 : 1				