

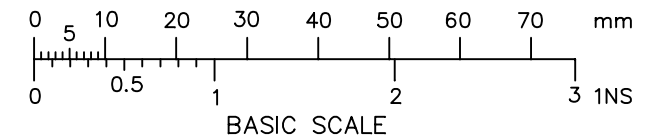
DRG No
BL/D6290 INST

USED ON

THIRD ANGLE PROJECTION

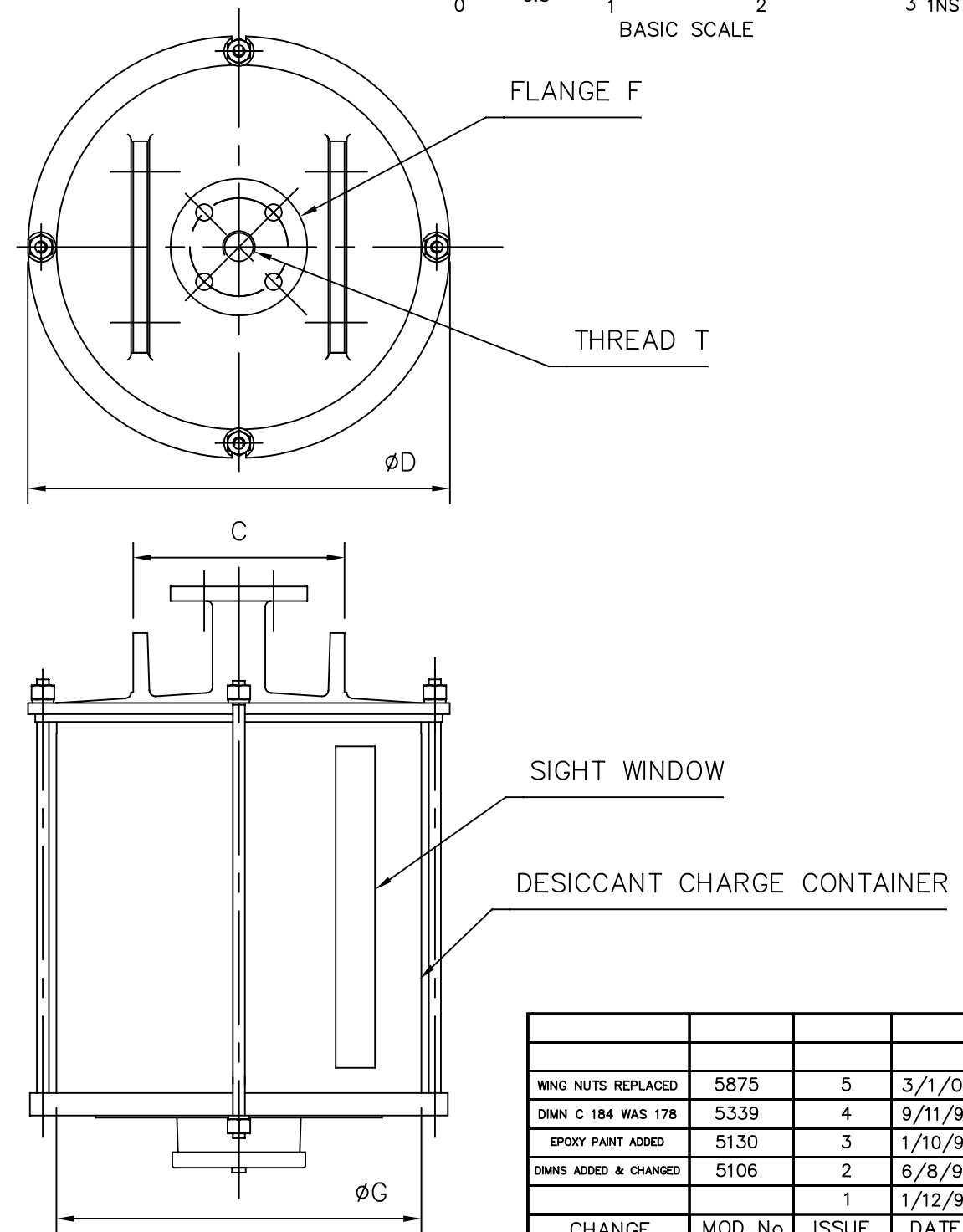
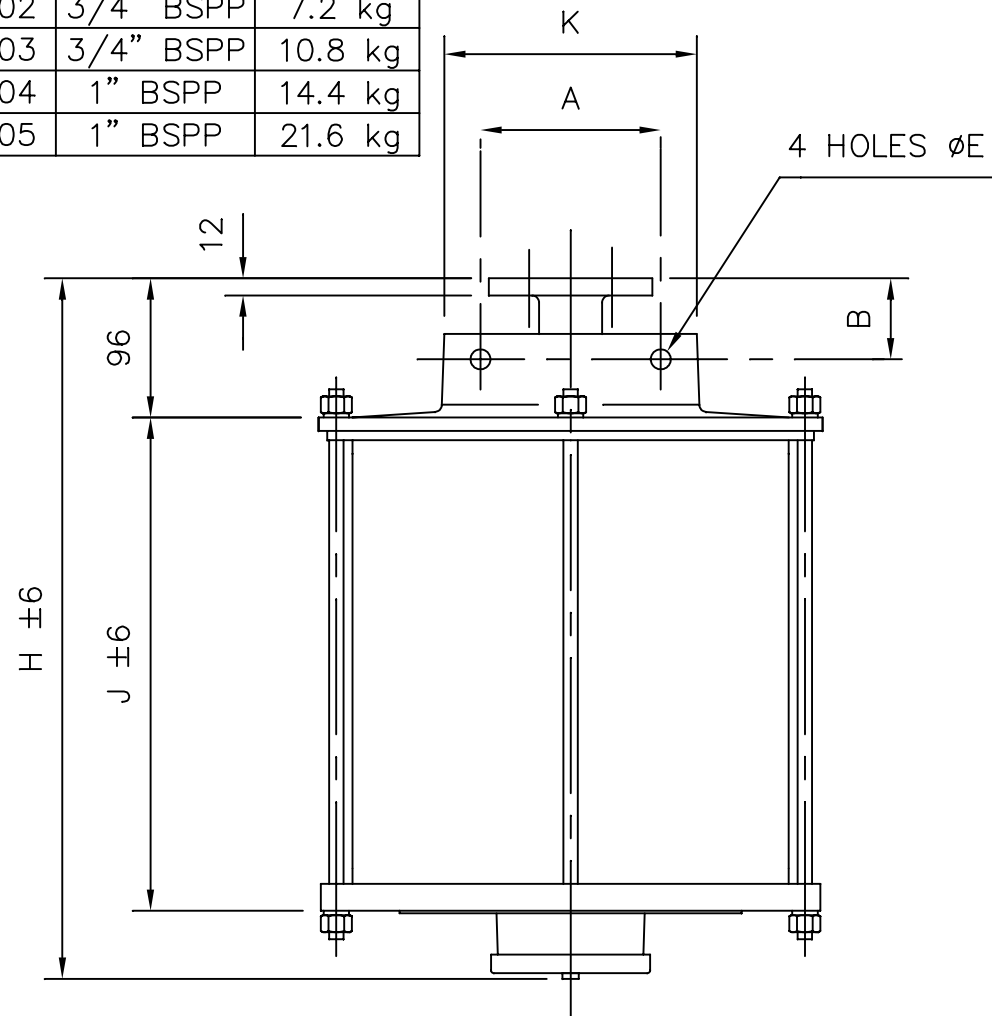
REMOVE ALL SHARP EDGES UNLESS SPECIFIED

DO NOT SCALE - ASK



PART No	MODEL	A	B	C	D	E	FLANGE F	G	H	J	K
BL/D6290/01	V	82.5	57	155.5	255	14	1" BSTD	207	375	227	127
BL/D6290/02	W	82.5	57	155.5	255	14	1" BSTD	207	555	407	127
BL/D6290/03	X	82.5	57	155.5	255	14	1" BSTD	207	735	587	127
BL/D6290/04	Y	127	57	184	355	14	1" BSTD	306	485	342	178
BL/D6290/05	Z	127	57	184	355	14	1" BSTD	306	645	502	178

PART No	THREAD T	CHARGE
BL/D6290/01	3/4" BSPP	3.6 kg
BL/D6290/02	3/4" BSPP	7.2 kg
BL/D6290/03	3/4" BSPP	10.8 kg
BL/D6290/04	1" BSPP	14.4 kg
BL/D6290/05	1" BSPP	21.6 kg



CHANGE	MOD No	ISSUE	DATE
WING NUTS REPLACED	5875	5	3/1/02
DIMN C 184 WAS 178	5339	4	9/11/98
EPOXY PAINT ADDED	5130	3	1/10/97
DIMNS ADDED & CHANGED	5106	2	6/8/97
		1	1/12/93

MATERIAL ALUMINIUM & MILD STEEL	PROTECTIVE FINISH ALUM - ANODISE OR EPOXY PAINT M. STEEL - PHOSPHATE & POLYESTER POWDER COAT	TOLERANCES ±3	CUSTOMER BROWNELL Ltd. LONDON NW10		CUSTOMER'S REF	DRAWN	CHECKED
		DIMENSIONS IN in/mm mm	TITLE TRANSFORMER BREATHER DESICCATOR		DRAWING NUMBER BL/D6290 INST		
EST. WT.		SURFACE ROUGHNESS					
		SCALE (ORIGINAL)	NTS				