

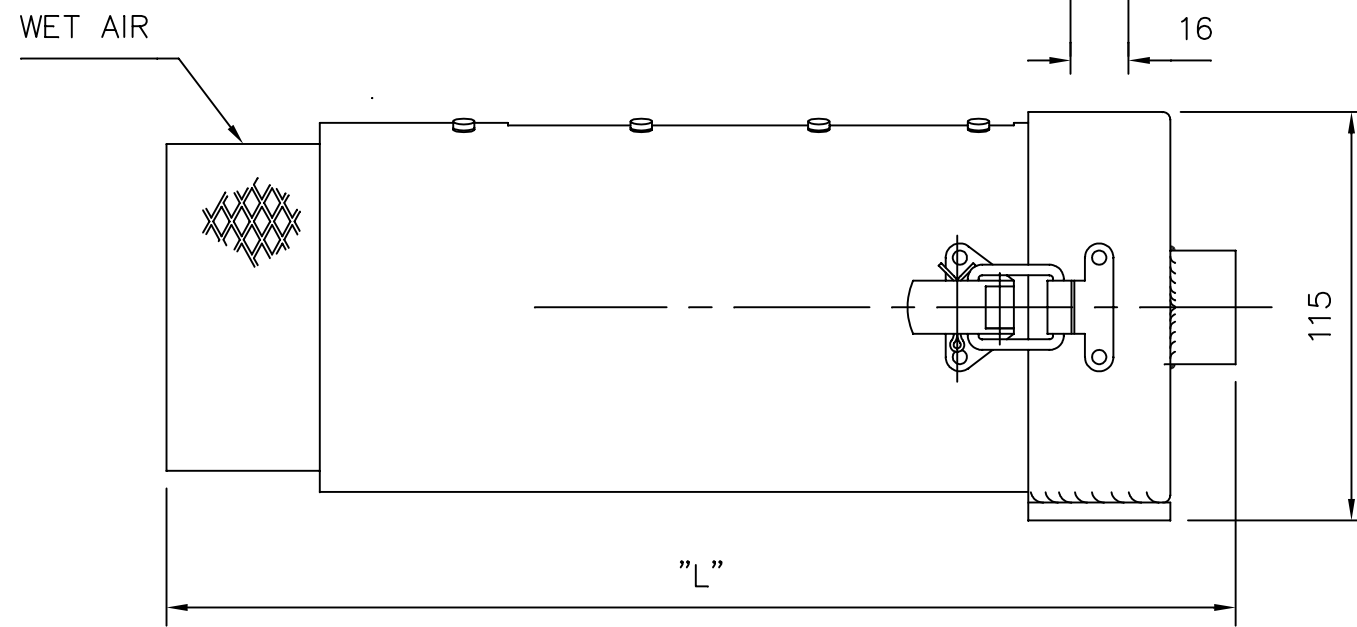
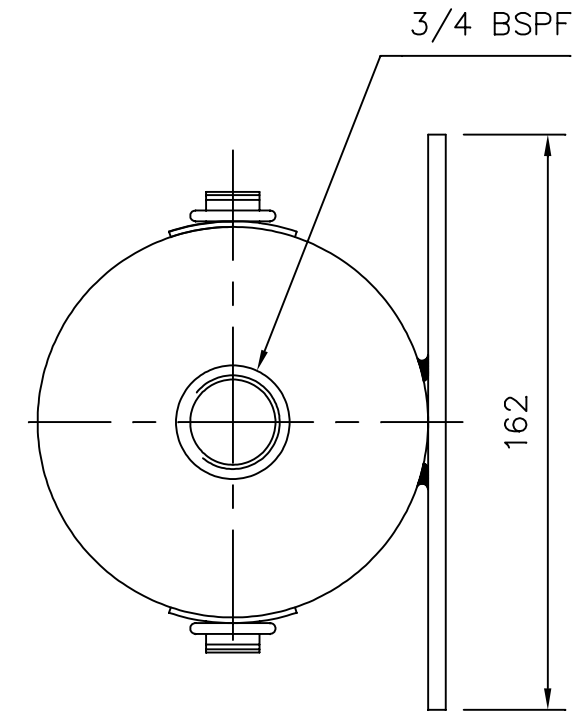
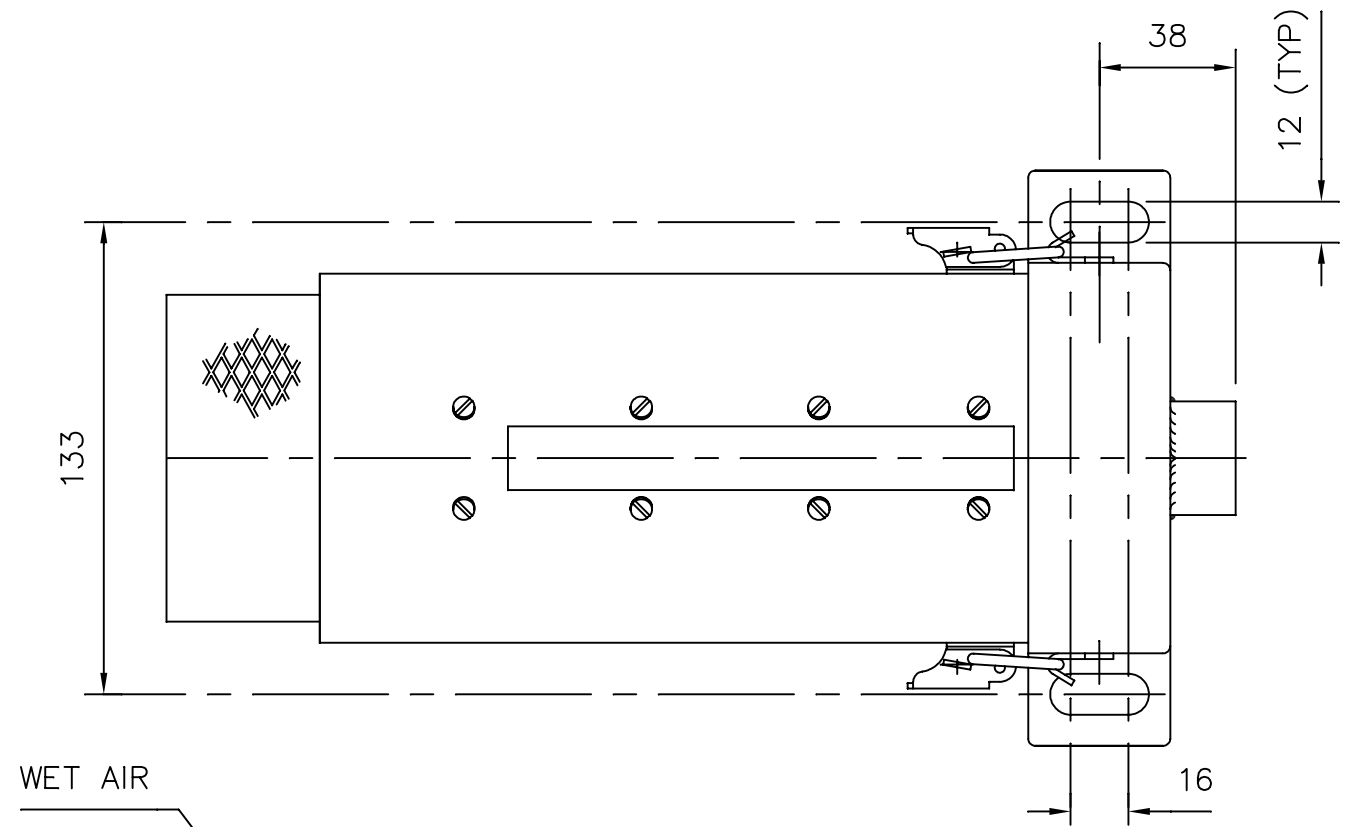
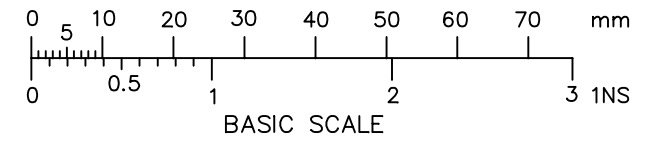
DRG No
BL/D6291/01 & 02 INST

USED ON

THIRD ANGLE PROJECTION

REMOVE ALL SHARP EDGES UNLESS SPECIFIED

DO NOT SCALE - ASK



PART NUMBER	DIMN "L"	NATO STOCK No
BL/D6291/01	188	4440-99-510-0571
BL/D6291/02	302	

CHANGE	MOD No	ISSUE	DATE
/01-NSN ADDED	5665	3	31/5/00
	4924	2	17/6/96
		1	18/1/94

MATERIAL MILD STEEL	PROTECTIVE FINISH PHOSPHATE DEF STAN 03-11 CLASS 2 POLYESTER POWDER COAT GREY	TOLERANCES ± 1	CUSTOMER BROWNELL Ltd. LONDON NW10	CUSTOMER'S REF	DRAWN	CHECKED
EST. WT.		DIMENSIONS IN in/mm mm	TITLE TRANSFORMER BREATHER MODEL 701 & 702	DRAWING NUMBER BL/D6291/01 & 02 INST		
		SURFACE ROUGHNESS				
		SCALE (ORIGINAL)	1:2			

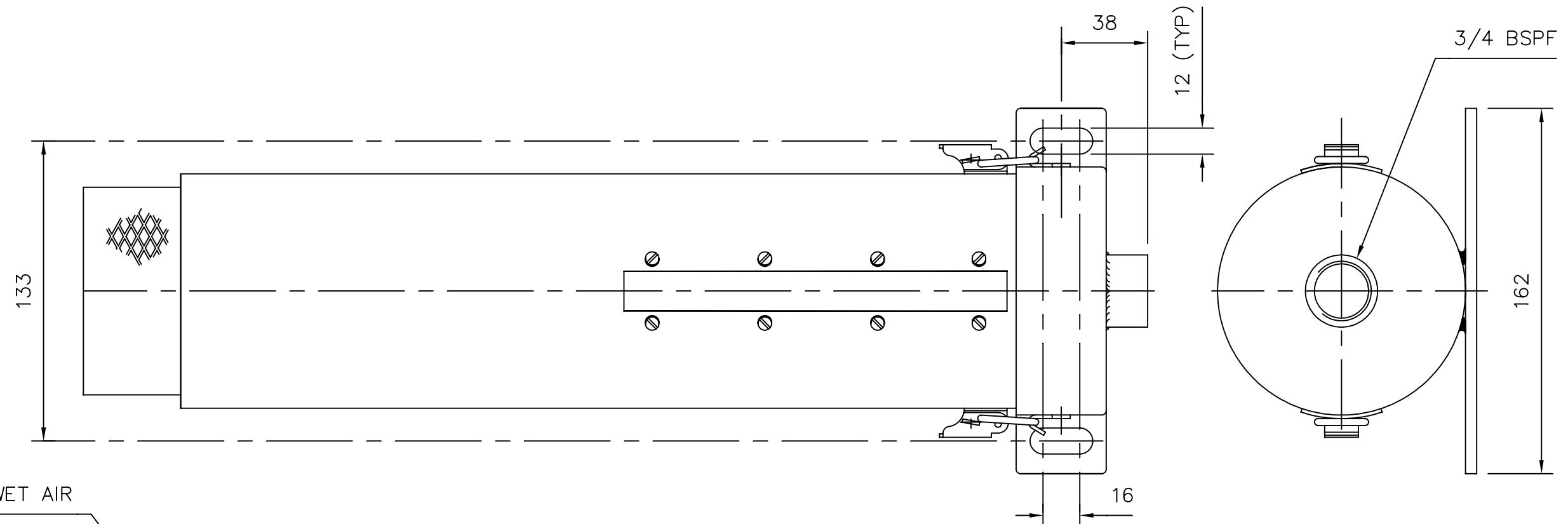
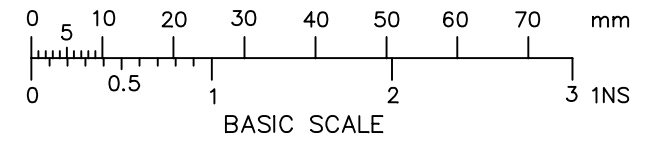
DRG No
BL/D6291/03 INST

USED ON

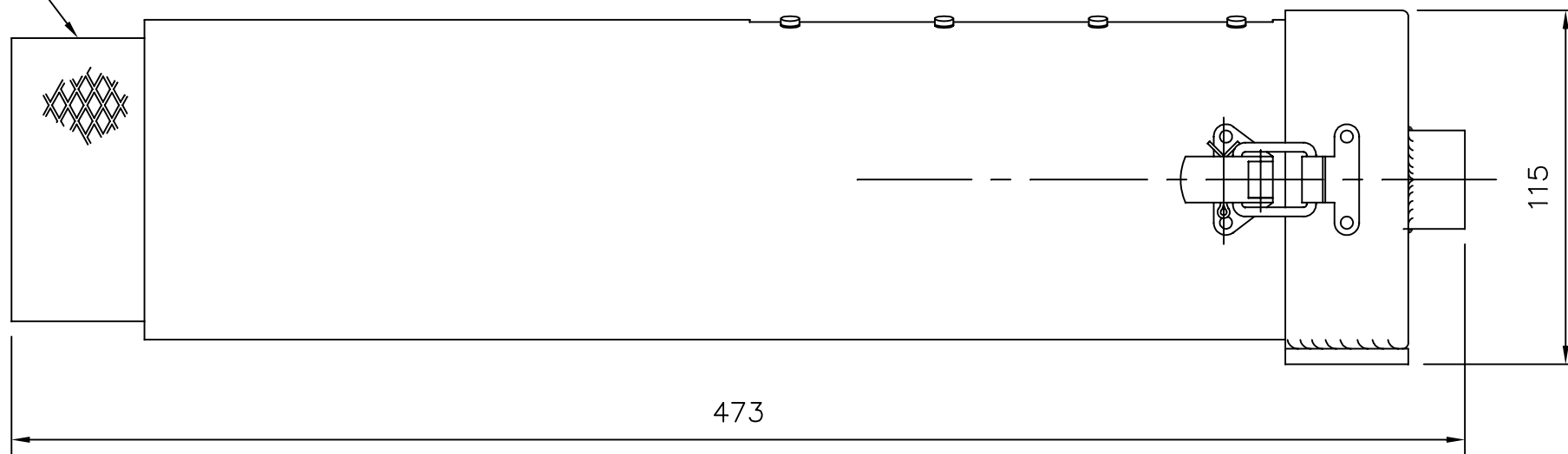
THIRD ANGLE PROJECTION

REMOVE ALL SHARP EDGES UNLESS SPECIFIED

DO NOT SCALE - ASK



WET AIR



DRY AIR

CHANGE	MOD No	ISSUE	DATE
	5032	3	19/3/97
	4924	2	17/6/96
		1	14/12/94

MATERIAL MILD STEEL	PROTECTIVE FINISH PHOSPHATE DEF STAN 03-11 CLASS 2 POLYESTER POWDER COAT GREY	TOLERANCES ±1	CUSTOMER BROWNELL Ltd. LONDON NW10	CUSTOMER'S REF	DRAWN	CHECKED
EST. WT.		DIMENSIONS IN in/mm mm	TITLE TRANSFORMER BREATHER MODEL 703	DRAWING NUMBER BL/D6291/03 INST		
		SURFACE ROUGHNESS				
		SCALE (ORIGINAL)	1:2			