

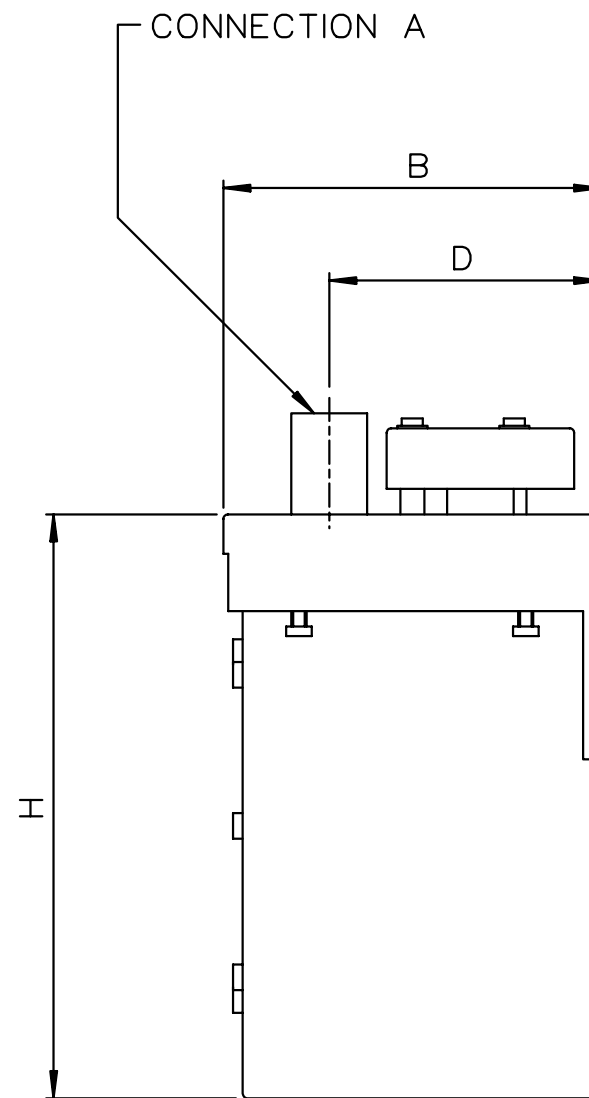
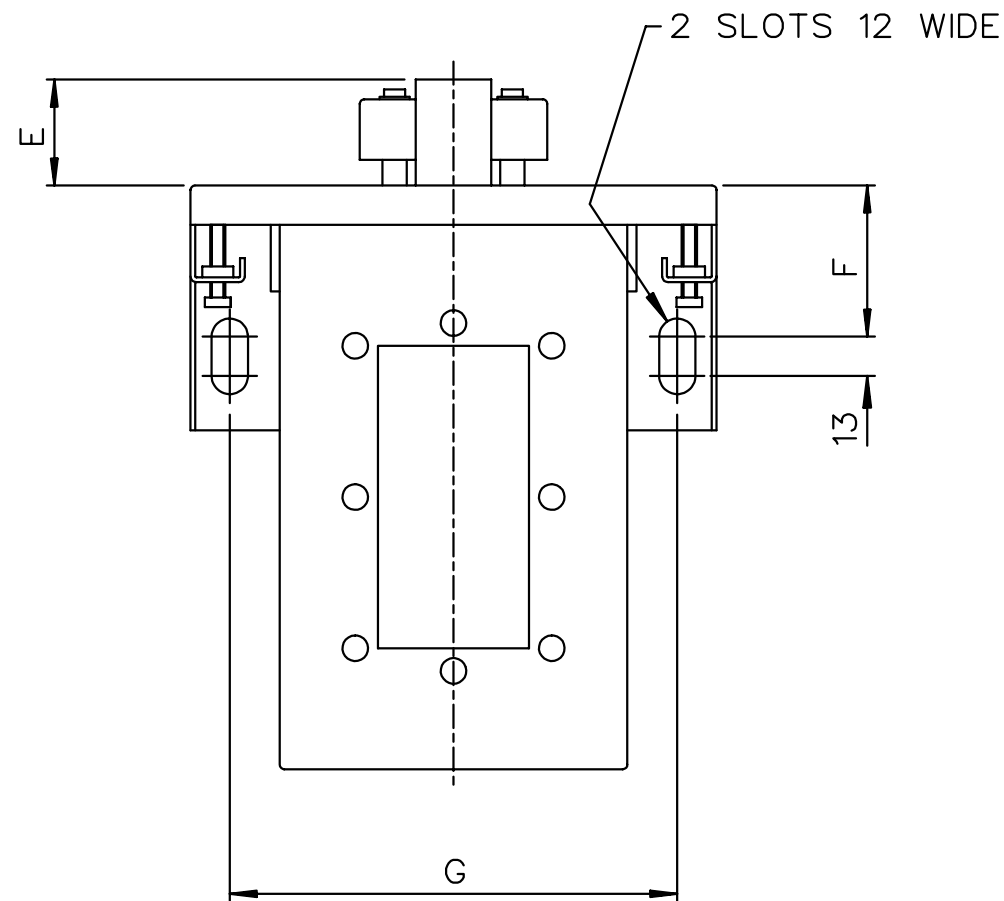
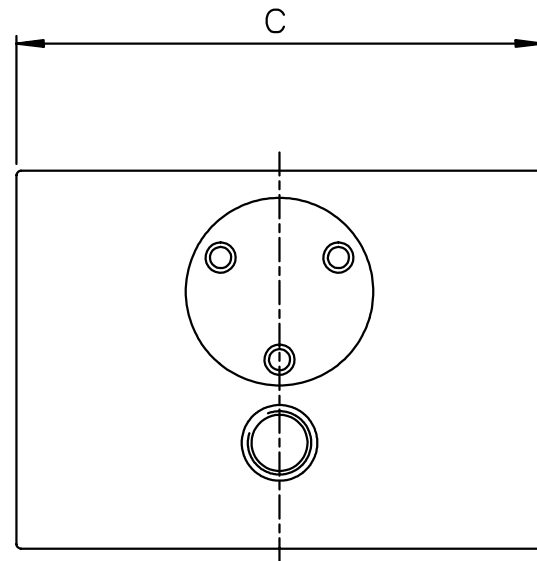
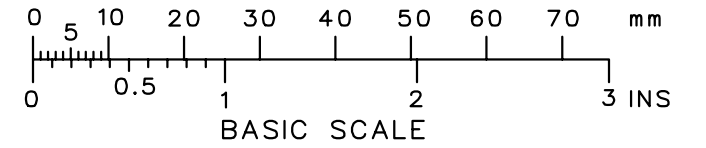
DRG No
BL/D 6340/01-03 INST

USED ON

THIRD ANGLE PROJECTION

REMOVE ALL BURRS & SHARP EDGES

DO NOT SCALE - ASK



DRG No	BL/D6340/01	BL/D6340/02	BL/D6340/03
MODEL	605	610	615
DIMN A	0.5" BSP	1.0" BSP	1.5" BSP
DIMN B	125	171	256
DIMN C	174	220	305
DIMN D	90	125	190
DIMN E	35	45	48
DIMN F	50	50	50
DIMN G	146	194	260
DIMN H	193	381	381

NOTE: UNITS FILLED WITH INDICATING SILICA GEL DESICCANT.

THIS DESIGN IS THE PROPERTY OF BROWNELL LTD AND MAY NOT BE COPIED OR REPRODUCED WITHOUT THEIR PRIOR WRITTEN PERMISSION

CHANGE	MOD No	ISSUE	DATE
SLOT SIZE ADDED	5206	C	25/2/98
MATL & FINISH ADDED	4930	B	1/7/96
		A	12/7/95

MATERIAL
MILD STEEL
EST. WT. —

PROTECTIVE TREATMENT
PHOSPHATE
DEF STAN 03-11
CLASS 2
POLYESTER POWDER
COAT BLUE

TOLERANCES
UNLESS STATED
—
DIMNS IN ~~INS~~/mm
SCALE (ORIGINAL) N.T.S

BROWNELL LIMITED LONDON NW10
TITLE
TANK VENT DRYERS

CUSTOMER REF.
DRAWING No
BL/D 6340/01-03 INST
DRAWN LJ
CHECKED