

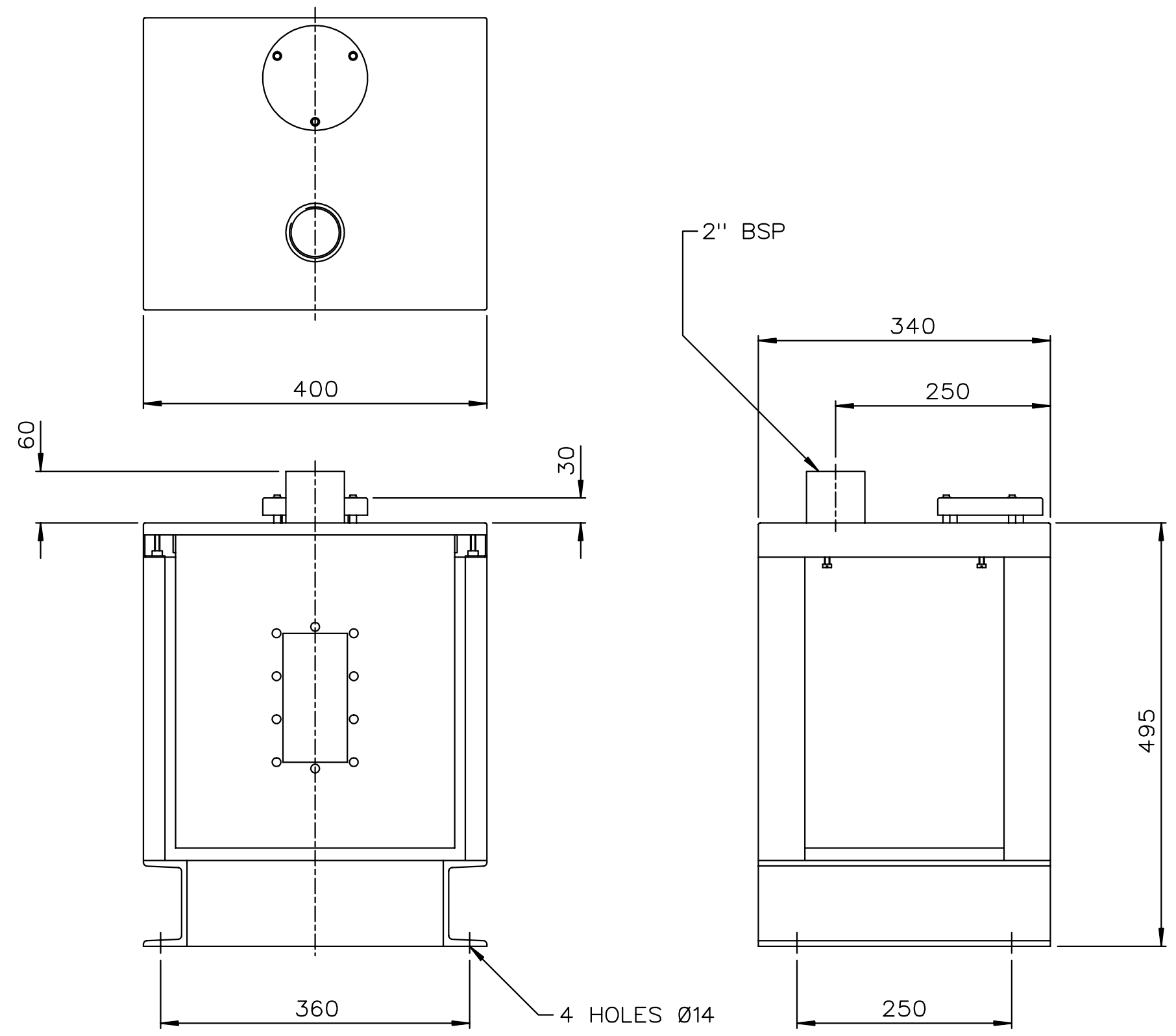
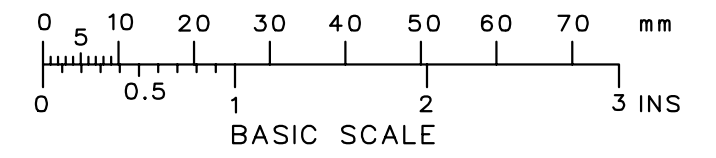
THIS DESIGN IS THE PROPERTY OF BROWNELL LTD
AND MAY NOT BE COPIED OR REPRODUCED
WITHOUT THEIR PRIOR WRITTEN PERMISSION

DRG No
BL/D 6341/01 INST
USED ON

THIRD ANGLE PROJECTION

REMOVE ALL SHARP EDGES UNLESS SPECIFIED

DO NOT SCALE - ASK



NOTE: UNIT FILLED WITH INDICATING SILICA GEL DESICCANT.

MATL & FINISH ADDED	4930	2	1/7/96
		1	17/7/95
CHANGE	MOD No	ISSUE	DATE

MATERIAL	PROTECTIVE FINISH	TOLERANCES	BROWNELL LIMITED LONDON NW10		CUSTOMER REF.	DRAWN	CHECKED
MILD STEEL	PHOSPHATE DEF STAN 03-11 CLASS 2 POLYESTER POWDER COAT BLUE	UNLESS STATED	TITLE			LJ	
EST. WT. —			TANK VENT DRYER (620)		DRAWING No		
					BL/D 6341/01 INST		
		DIMNS IN INS /mm					
		SCALE (ORIGINAL) N.T.S					

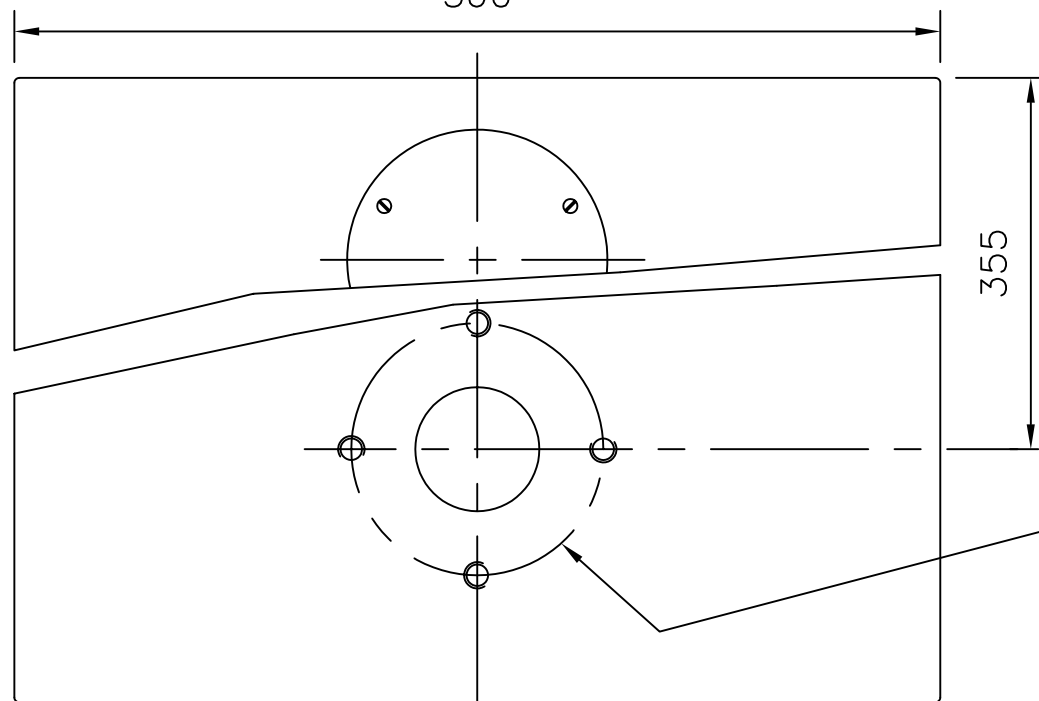
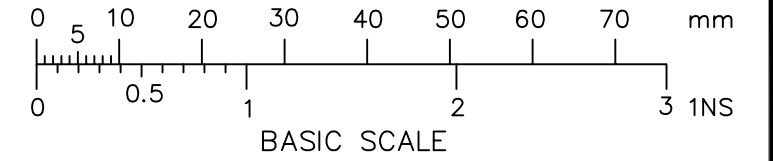
DRG No
BL/D6341/02 INST

USED ON

THIRD ANGLE PROJECTION

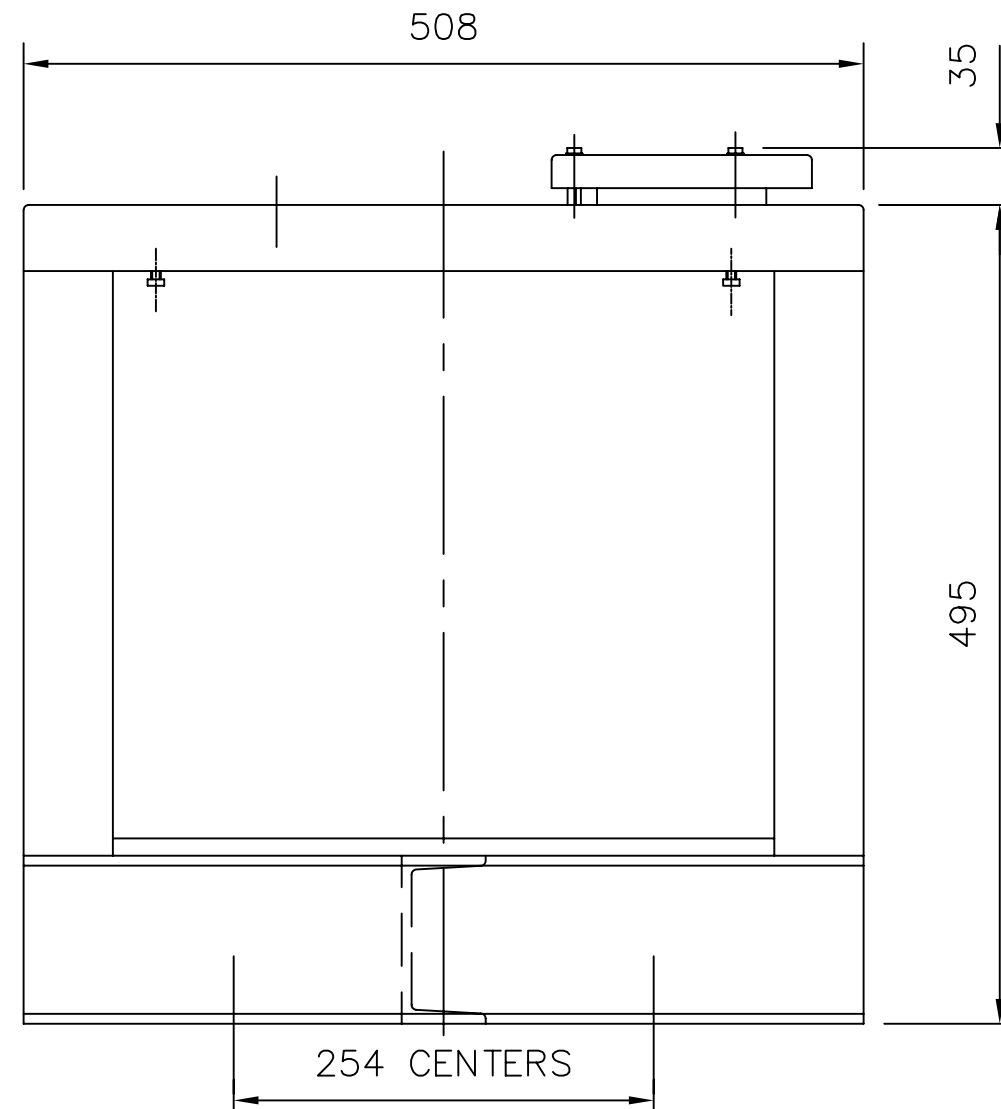
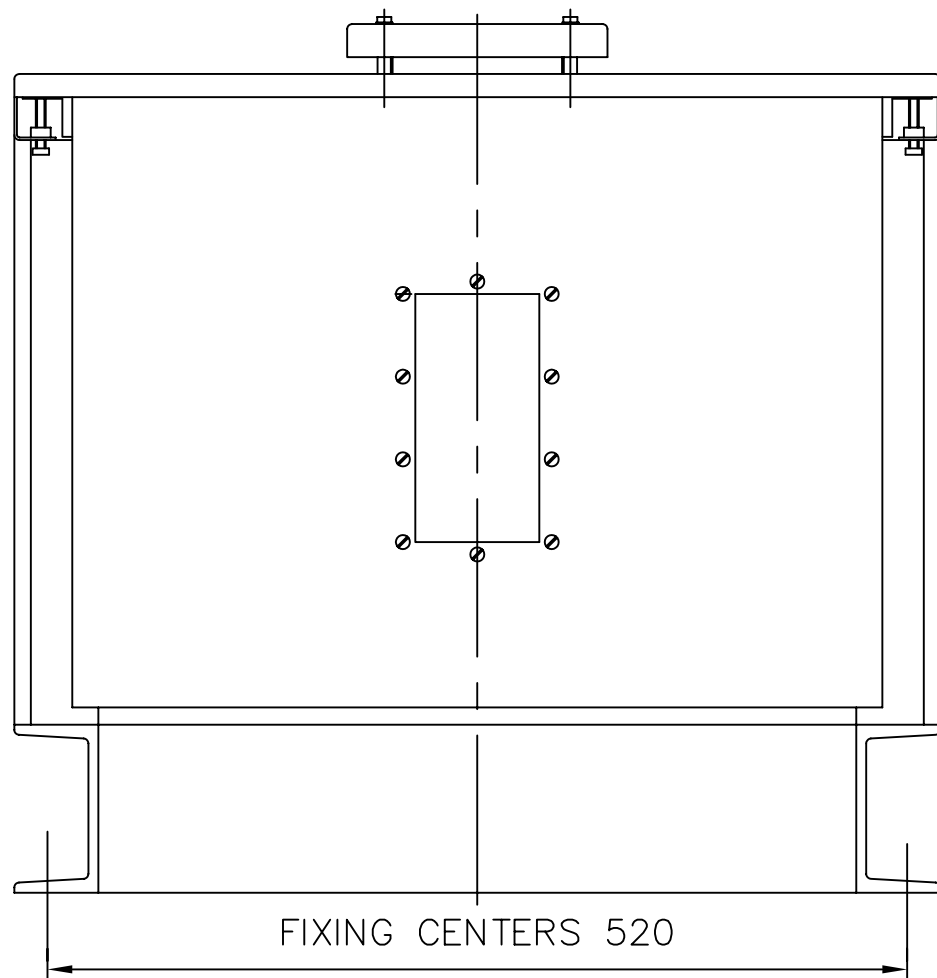
REMOVE ALL SHARP EDGES UNLESS SPECIFIED

DO NOT SCALE - ASK



DESICCANT CHARGE 50Kg

FIXINGS FOR 3" ANSI CLASS 125 FLANGE (M16)



CHANGE	MOD No	ISSUE	DATE
	6199	3	08-06-06
	4930	2	3/7/96
		1	28/10/94

MATERIAL	STEEL
EST. WT.	

PROTECTIVE FINISH	PHOSPHATE DEF STAN
	03-11 CLASS 2
	POLYESTER POWDER
	COAT BLUE

TOLERANCES	±3
DIMENSIONS IN in/mm	mm
SURFACE ROUGHNESS	
SCALE (ORIGINAL)	1:5

CUSTOMER	BROWNELL Ltd. LONDON NW10
TITLE	MODEL 630 TANK DRYER

CUSTOMER'S REF	DRAWN	CHECKED
DRAWING NUMBER	BL/D6341/02 INST	