

THIS DESIGN IS THE PROPERTY OF BROWNELL LTD
AND MAY NOT BE COPIED OR REPRODUCED
WITHOUT THEIR PRIOR WRITTEN PERMISSION

DRG No

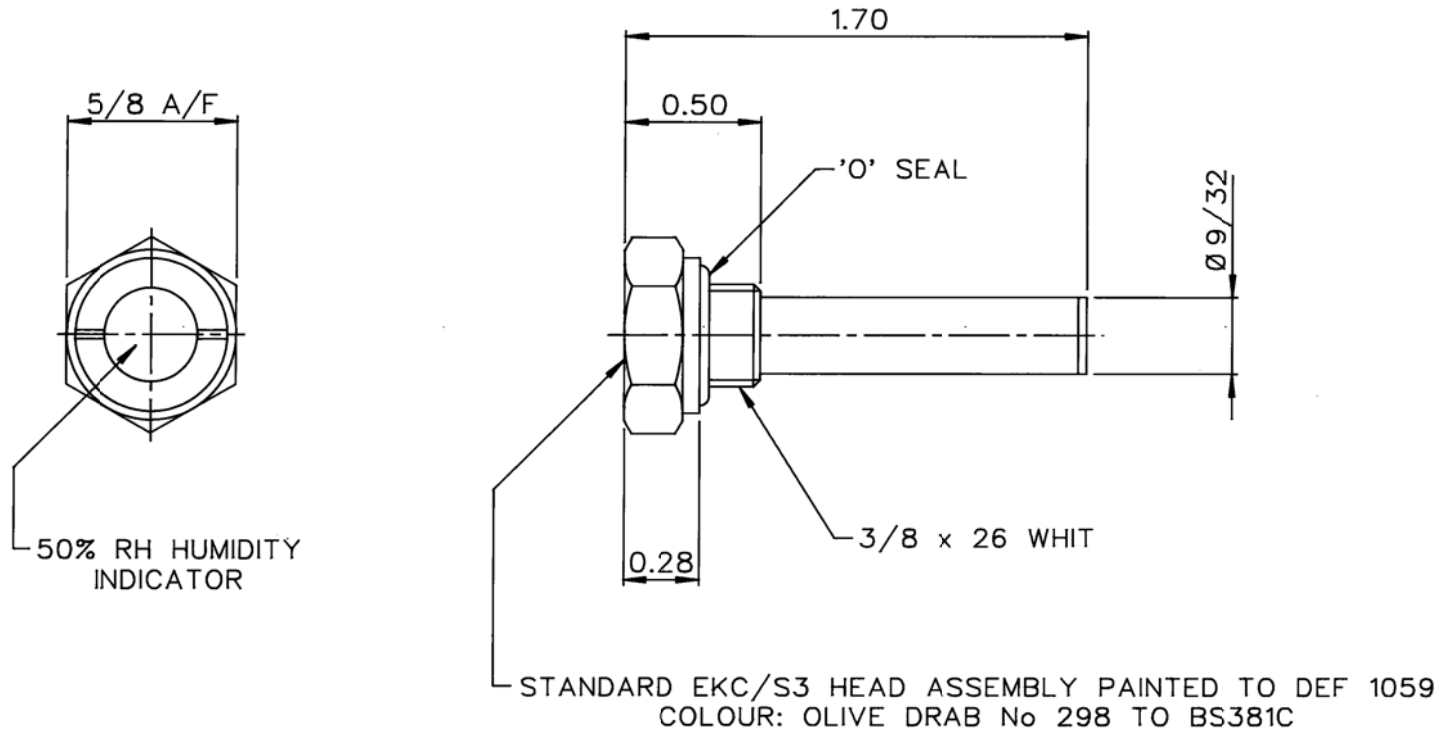
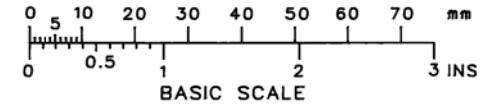
BL/D 6372 INST

USED ON

THIRD ANGLE PROJECTION

REMOVE ALL BURRS & SHARP EDGES

DO NOT SCALE - ASK



NOTES

1. FILLED WITH NON-INDICATING BEADED SILICA GEL DESICCANT TO BS7554.
2. RECHARGE DESICCATOR WHEN HUMIDITY INDICATOR IS NO LONGER BLUE - DO NOT REACTIVATE.
3. DESICCATOR MUST NOT BE SUBJECTED TO TEMPERATURES GREATER THAN 70 °C.
4. CONFORMS TO PRODUCT SPECIFICATION No 2000.
5. PACKAGED FOR A SHELF LIFE OF 5 YEARS WHEN STORED IN TEMPERATE CONDITIONS.

REDRAWN - INDICATOR ADDED	5798	B	16/5/01
		A	26/4/93
CHANGE	MOD No	ISSUE	DATE

MATERIAL BRASS	PROTECTIVE FINISH BRIGHT NICKEL PLATE (HEAD PAINTED SEE ABOVE)	TOLERANCES UNLESS STATED	±1/64	BROWNELL LIMITED LONDON NW10 TITLE DESICCANT CONTAINER DEHUMIDIFIER (PANEL MOUNTING)	CUSTOMER REF. OP9512/S	DRAWN LJ	CHECKED K
		DIMNS IN INS/	SCALE (ORIGINAL) 2 : 1		DRAWING No BL/D 6372 INST		
EST. WT. —							