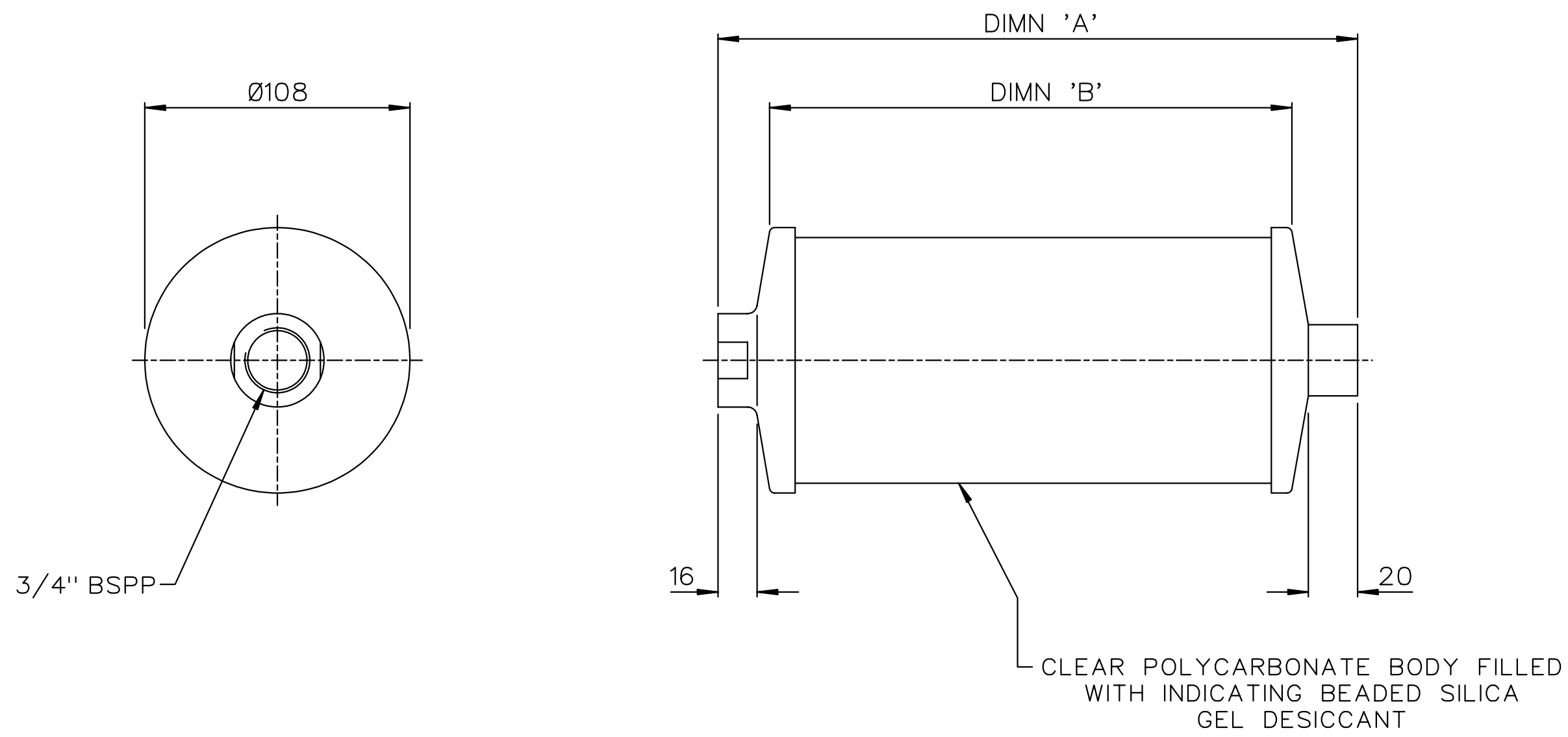
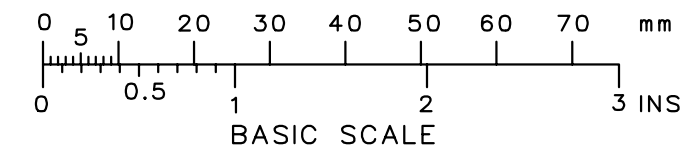


THIS DESIGN IS THE PROPERTY OF BROWNELL LTD  
AND MAY NOT BE COPIED OR REPRODUCED  
WITHOUT THEIR PRIOR WRITTEN PERMISSION

DRG No  
BL/D 6942/01-02 INST  
USED ON

THIRD ANGLE PROJECTION

REMOVE ALL SHARP EDGES UNLESS SPECIFIED DO NOT SCALE - ASK



DRG No	SIZE	DIMN 'A'	DIMN 'B'
BL/D6942/01	R1	260	212
BL/D6942/02	R2	362	314

END CAP MATERIAL CHANGED BOSS CHANGED - 16 WAS 15	5390	D	1/2/99
LABEL DELETED	5247	C	6/5/98
DIMNS ADDED	5106	B	6/8/97
		A	4/5/94
CHANGE	MOD No	ISSUE	DATE

MATERIAL  
GLASS LOADED  
& UV STABILISED  
POLYCARBONATE  
END CAPS  
EST. WT.

PROTECTIVE FINISH

TOLERANCES  
UNLESS  
STATED  
 $\pm 2$   
DIMNS IN ~~mm~~ /mm  
SCALE (ORIGINAL) 1 : 2

BROWNELL LIMITED LONDON NW10  
TITLE  
VALVED TRANSFORMER BREATHER  
(SIZE R1 & R2)

CUSTOMER REF.  
DRAWING No  
BL/D 6942/01-02 INST  
DRAWN  
LJ  
CHECKED

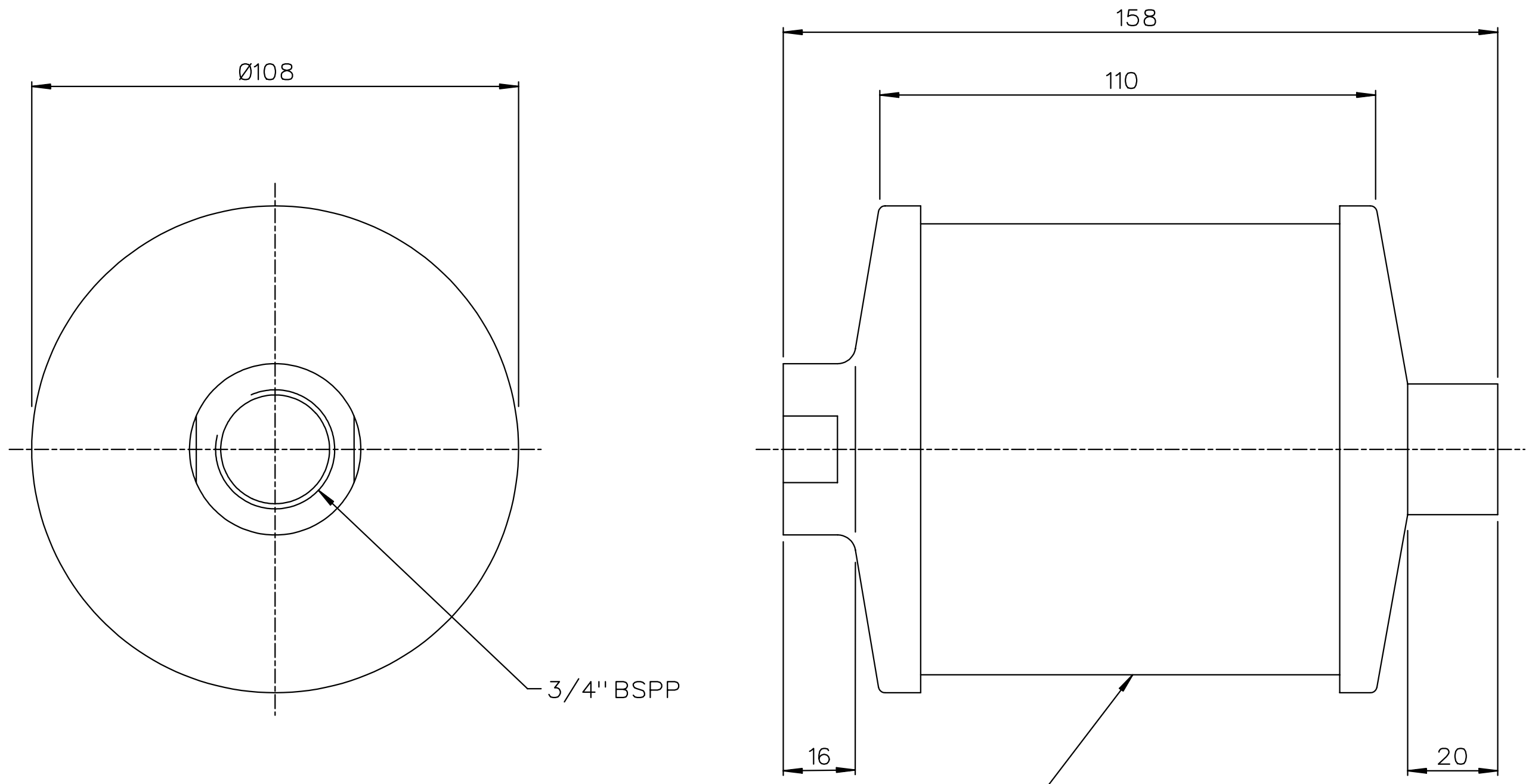
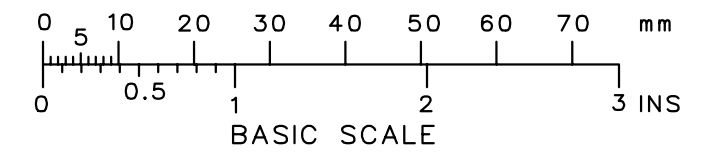
THIS DESIGN IS THE PROPERTY OF BROWNELL LTD  
AND MAY NOT BE COPIED OR REPRODUCED  
WITHOUT THEIR PRIOR WRITTEN PERMISSION

DRG No  
BL/D 6586 INST  
USED ON

THIRD ANGLE PROJECTION

REMOVE ALL SHARP EDGES UNLESS SPECIFIED

DO NOT SCALE - ASK



CLEAR POLYCARBONATE BODY FILLED WITH  
INDICATING BEADED SILCA GEL DESICCANT

END CAP MATERIAL CHANGED BOSS CHANGED - 16 WAS 15	5390	F	1/2/99
LABEL DELETED	5247	E	6/5/98
DIMNS ADDED	5106	D	6/8/97
HAMMER DRIVES DELETED	5098	C	7/7/97
REDRAWN	4476	B	11/5/94
CHANGE	MOD No	ISSUE	DATE

MATERIAL GLASS LOADED & UV STABILISED POLYCARBONATE END CAPS	PROTECTIVE FINISH —	TOLERANCES UNLESS STATED  ±2	BROWNELL LIMITED LONDON NW10	CUSTOMER REF.	DRAWN LJ	CHECKED
EST. WT.		DIMNS IN <del>mm</del> /mm	TITLE VALVED TRANSFORMER BREATHER (SIZE 'R')	DRAWING No BL/D 6586 INST		
		SCALE (ORIGINAL) 1 : 1				