

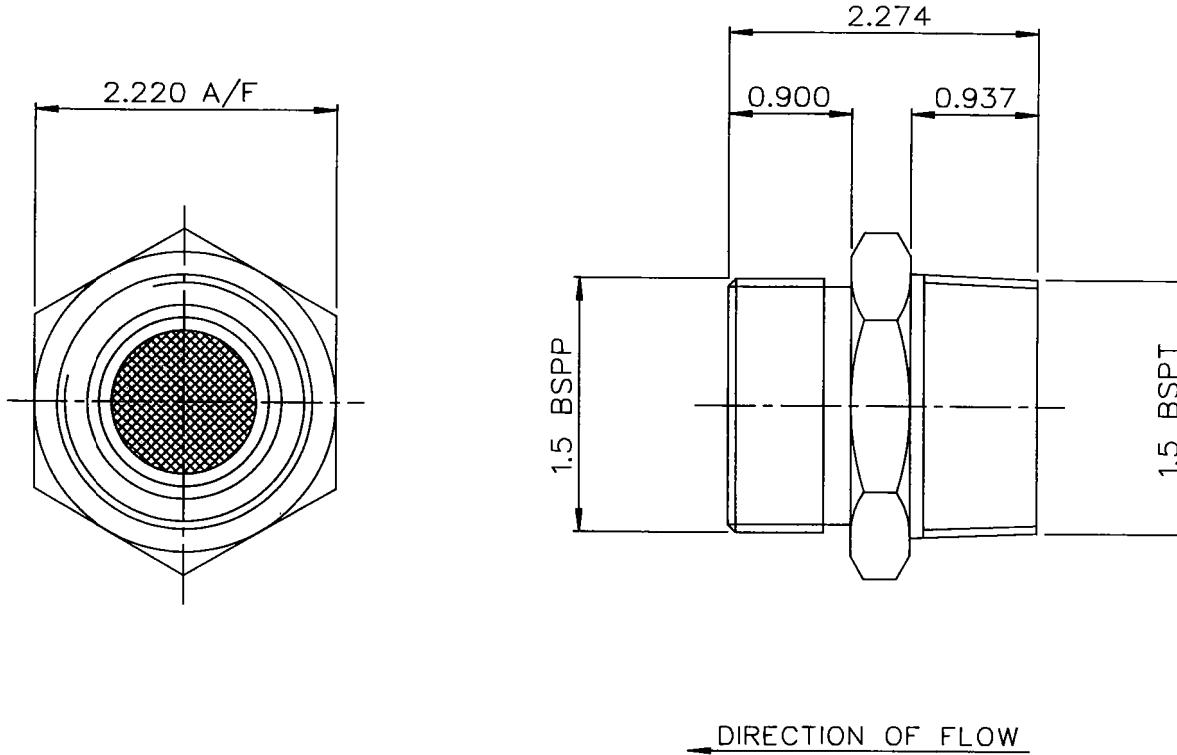
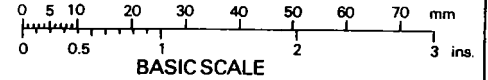
THIS DESIGN IS THE PROPERTY OF BROWNELL LTD. AND MAY NOT BE COPIED OR REPRODUCED WITHOUT THEIR PRIOR WRITTEN PERMISSION.

DRG. No.
BL/D 6604 INST
USED ON

THIRD ANGLE PROJECTION

REMOVE ALL SHARP EDGES UNLESS SPECIFIED.

DO NOT SCALE - ASK.



OPENING PRESSURE: 1 - 2" Wg.
CONFORMS TO PRODUCT SPECIFICATION No 7000.

		A	8/11/93
CHANGE	MOD. No.	ISSUE	DATE

MATERIAL STAINLESS STEEL 316S16	PROTECTIVE TREATMENT —	TOLERANCES UNLESS STATED	±0.040	BROWNELL LTD. LONDON, N.W.10.	CUSTOMERS REF.	DRAWN LJ	CHECKED K	
		DIMNS. IN INS/ M.M.			TITLE	DRAWING No.		
		SCALE (ORIGINAL)	1 : 1		RELIEF VALVE (OUTWARD)	BL/D 6604 INST		