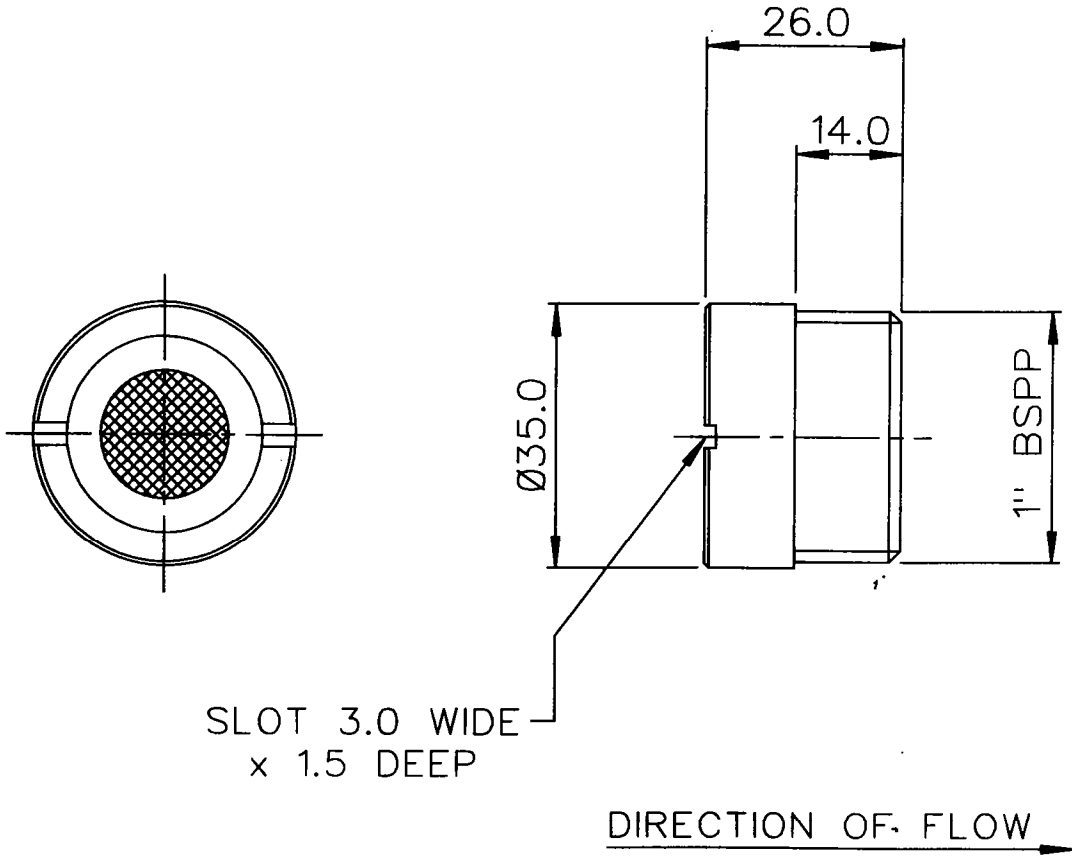


DRG. No.

BL/D 6806/02 INST

THIRD ANGLE
PROJECTION

USED ON



OPENING PRESSURE: 3 - 4" Wg.

CONFORMS TO PRODUCT SPECIFICATION 7000.

THIS DESIGN IS THE PROPERTY OF BROWNELL LTD. AND MAY NOT BE COPIED OR REPRODUCED WITHOUT THEIR PRIOR WRITTEN PERMISSION.

MATERIAL	PROTECTIVE FINISH				
ALUM ALLOY	ANODISED BLACK				
EST. WT. —				A	9/3/94
		CHANGE	MOD. No.	ISSUE	DATE
DIMNS IN mm	SURFACE ROUGH	TOLERANCES ±0.5			
SCALE 1 : 1	—				
BROWNELL LIMITED LONDON N.W.10			DRAWN LJ	CHKD.	
SUB CONT. —		SUB CONT. DRG. REF. —			
TITLE		DRAWING No.			
VACUUM RELIEF VALVE (1" BSP)		BL/D 6806/02 INST			