

DRG No

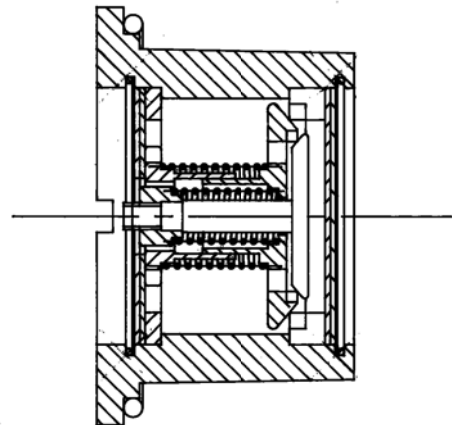
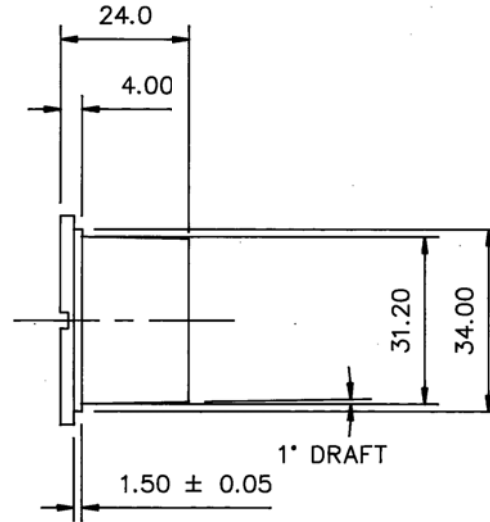
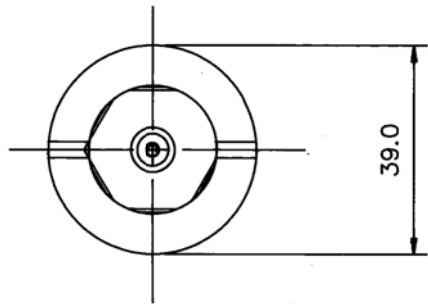
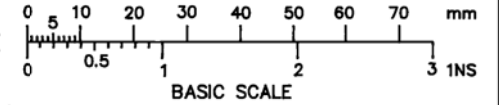
BL/D7047 INST SH1 OF 2

USED ON

THIRD ANGLE PROJECTION

REMOVE ALL SHARP EDGES UNLESS SPECIFIED

DO NOT SCALE - ASK



SECTION SCALE 2:1

UNIT IS IDENTIFIED BY RED DOT ON PACKAGING LABEL

	4847	7	18/1/96
	4723	6	24/6/95
	4674	5	31/3/95
	4647	4	8/2/95
	4595	3	10/11/94
	4592	2	1/11/94
		1	30/10/94
CHANGE	MOD No	ISSUE	DATE

MATERIAL SEE SH2	PROTECTIVE FINISH NATURAL	TOLERANCES ±0.5		CUSTOMER BROWNELL Ltd. LONDON NW10			CUSTOMER'S REF	DRAWN	CHECKED
		DIMENSIONS IN in/mm	mm	TITLE DOUBLE DIFF'L RELIEF VALVE			DRAWING NUMBER BL/D7047 INST SH1 OF 2		
EST. WT.		SURFACE ROUGHNESS							
		SCALE (ORIGINAL)		1:1					