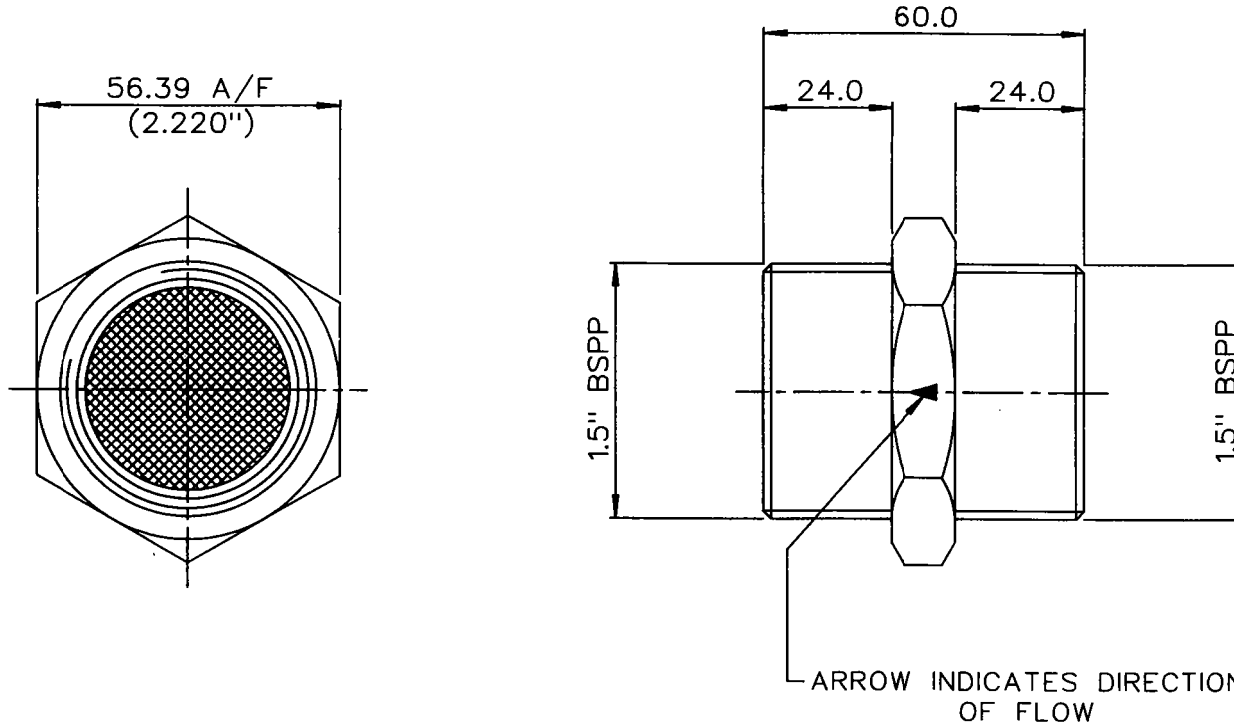
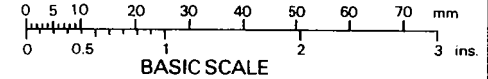


DRG. No.
BL/D 7067/03 INST
USED ON

REMOVE ALL SHARP EDGES UNLESS SPECIFIED.

THIRD ANGLE PROJECTION

DO NOT SCALE - ASK.



OPENING PRESSURE: 3 - 4" Wg.

CONFORMS TO PRODUCT SPECIFICATION No 7000.

		A	9/3/94
CHANGE	MOD. No.	ISSUE	DATE

MATERIAL
ALUM ALLOY
EST. WT. —

PROTECTIVE TREATMENT
ANODISED BLACK

TOLERANCES UNLESS STATED
±0.5
DIMNS. IN ~~mm~~/m.m.
SCALE (ORIGINAL) 1 : 1

BROWNELL LTD. LONDON, N.W.10.
TITLE
OUTWARD RELIEF VALVE WITH EXTERNAL FITTING (1.5" BSPP)

CUSTOMERS REF.
DRAWING No.
BL/D 7067/03 INST

DRAWN LJ
CHECKED K

THIS DESIGN IS THE PROPERTY OF BROWNELL LTD. AND MAY NOT BE COPIED OR REPRODUCED WITHOUT THEIR PRIOR WRITTEN PERMISSION.