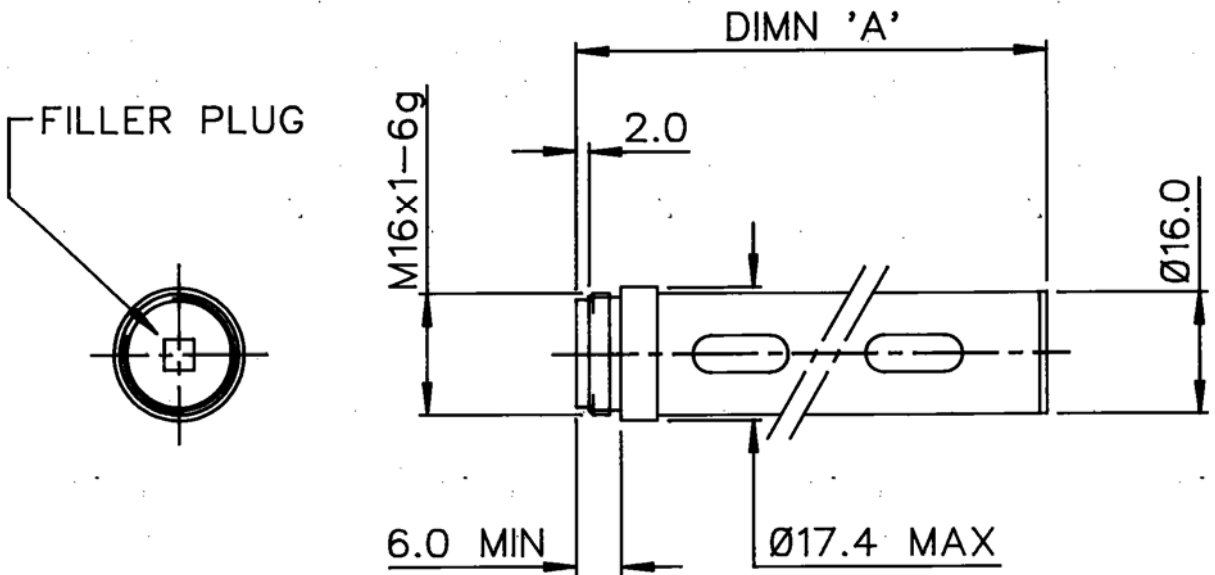


DRG. No.
BL/D 7311/01-02 INST

THIRD ANGLE
PROJECTION

USED ON



DRG No	NSN	DIMN 'A'
BL/D7311/01		110.0 MAX
BL/D7311/02	4440-99-840-3690	85.0 MAX

NOTE: FILLED WITH ACTIVATED CARBON

MATERIAL ALUM ALLOY	PROTECTIVE FINISH ANODISED	NSN ADDED - /02	5297	C	19/8/98
		/02 ADDED	4960	B	16/10/96
				A	12/2/96
		CHANGE	MOD.No.	ISSUE	DATE
EST. WT. —					
DIMNS. IN mm	SURFACE ROUGH	TOLERANCES ±0.5			
SCALE 1 : 1	—				
BROWNELL LIMITED LONDON N.W.10			DRAWN LJ	CHKD. 	
SUB.CONT. —		SUB.CONT. DRG. REF. —			
TITLE HYDROCARBON ADSORPTION UNIT		DRAWING No. BL/D 7311/01-02 INST			

THIS DESIGN IS THE PROPERTY OF BROWNELL LTD. AND MAY NOT BE COPIED OR REPRODUCED WITHOUT THEIR PRIOR WRITTEN PERMISSION.