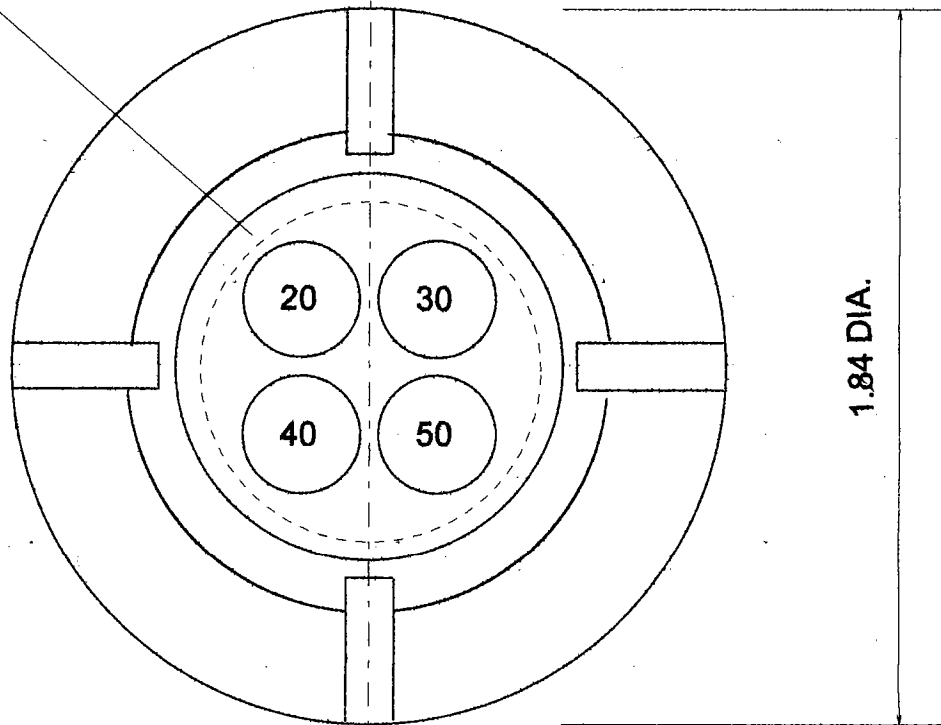


DRG.No.  
BL/D7455/01 & 02 INST

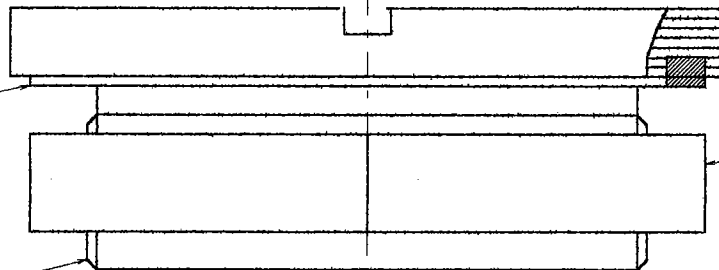
# THIRD ANGLE PROJECTION

THE WORDS "LAVENDER DOT  
INDICATES RELATIVE HUMIDITY"  
PRINTED IN THIS AREA



THIS DESIGN IS THE PROPERTY OF BROWNELL LTD. AND MAY NOT BE  
COPIED OR REPRODUCED WITHOUT THEIR PRIOR WRITTEN PERMISSION

PANEL SEALING  
GASKET



HEX LOCK NUT  
1.62" AF

1.437" X 18UNEF -2A

PANEL MOUNTING HOLE  
1.45" DIA.

MATERIAL	PROTECTIVE FINISH				
SEE DETAIL DRAWINGS	BLD7455/01 ANODISED BLD7455/02 ANODISED & DYED BLACK	FORMAT CHANGED	5882	3	04-1-02
		REDRAWN		2	4-5-97
		ORIGINAL		1	23-4-97
EST.WT.		CHANGE	MOD.No.	ISSUE	DATE
DIMNS IN INS/MM==	SURFACE ROUGH	TOLERANCES			
SCALE: TWICE FULL SIZE					

**BROWNELL LIMITED LONDON N.W.10**

DRAWN <sup>NGH</sup> CHECKED <sup>GH</sup>

TITLE  
**INDICATOR HUMIDITY PLUG**  
6685-00-914-0972

DRAWING No.  
**BL/D7455/01 & 02 INST**