

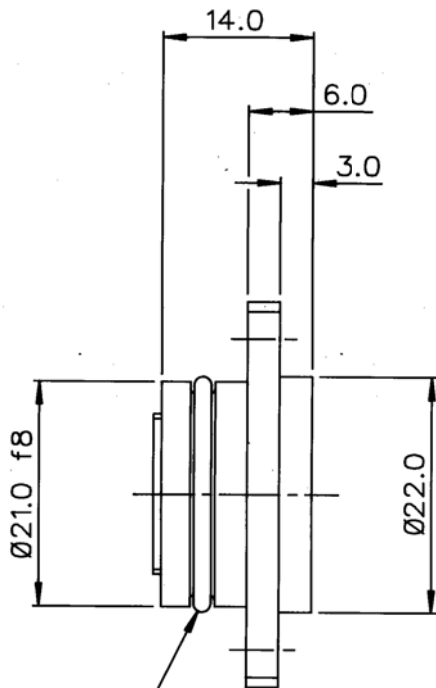
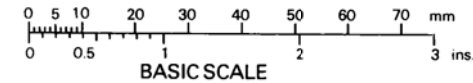
THIS DESIGN IS THE PROPERTY OF BROWNELL LTD. AND MAY NOT BE COPIED OR REPRODUCED WITHOUT THEIR PRIOR WRITTEN PERMISSION.

DRG. No.
BL/D 7460 INST
USED ON

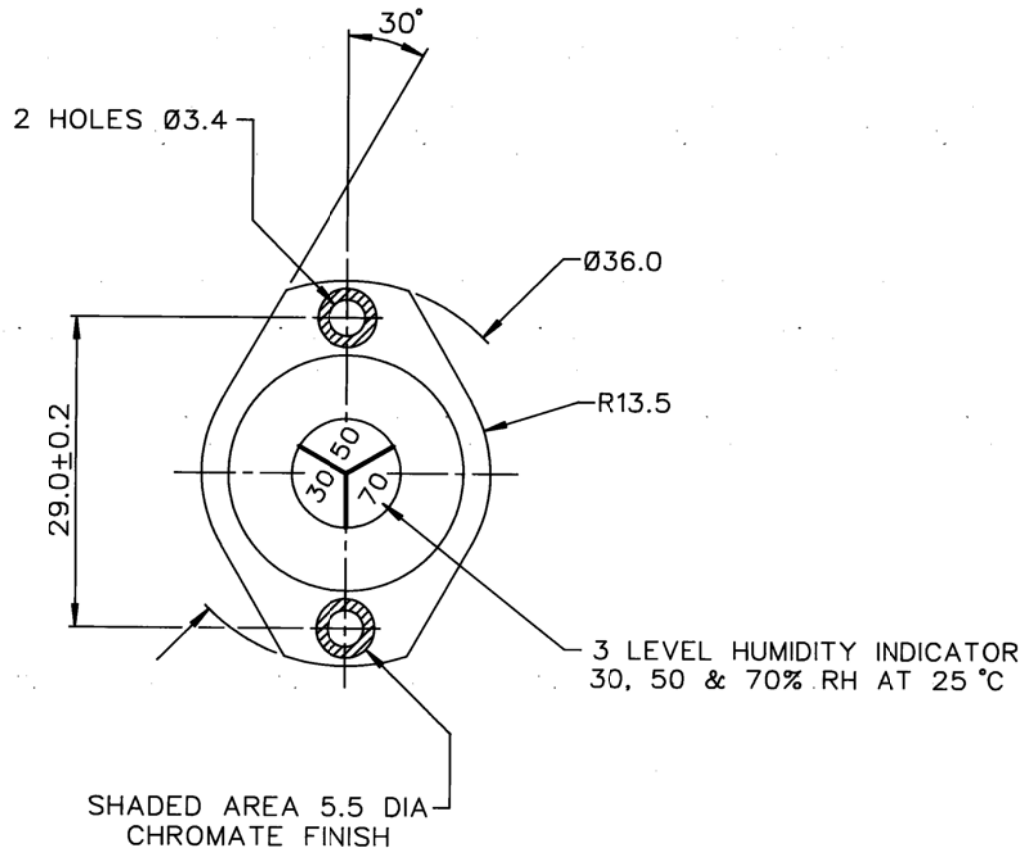
REMOVE ALL SHARP EDGES UNLESS SPECIFIED.

THIRD ANGLE PROJECTION

DO NOT SCALE - ASK.



EPDM 'O' SEAL (0181-16)



INDICATOR POSITION CHANGED	5148	2	12/11/97
		1	13/5/97
CHANGE	MOD. No.	ISSUE	DATE

MATERIAL	PROTECTIVE TREATMENT	TOLERANCES UNLESS STATED	±0.3
ALUM ALLOY	ANODISED BLACK (UNLESS STATED)	DIMNS. IN mm/m.m.	
EST. WT. —		SCALE (ORIGINAL)	2 : 1

BROWNELL LTD. LONDON, N.W.10.	CUSTOMERS REF.	DRAWN LJ	CHECKED
TITLE	DRAWING No.		
HUMIDITY INDICATOR	BL/D 7460 INST		