

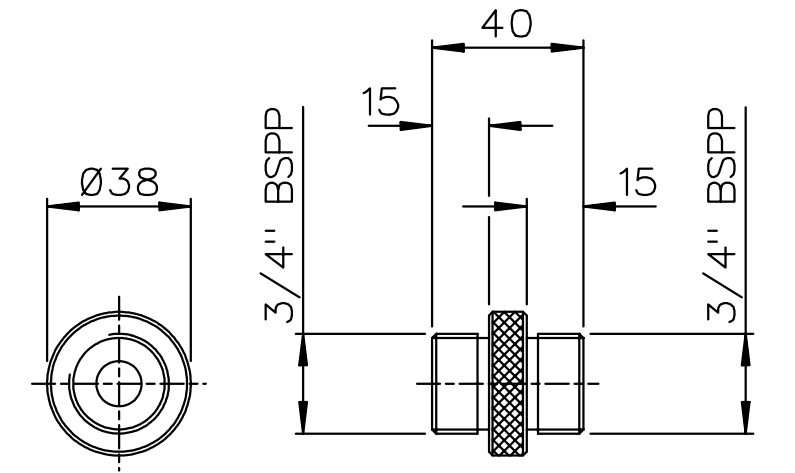
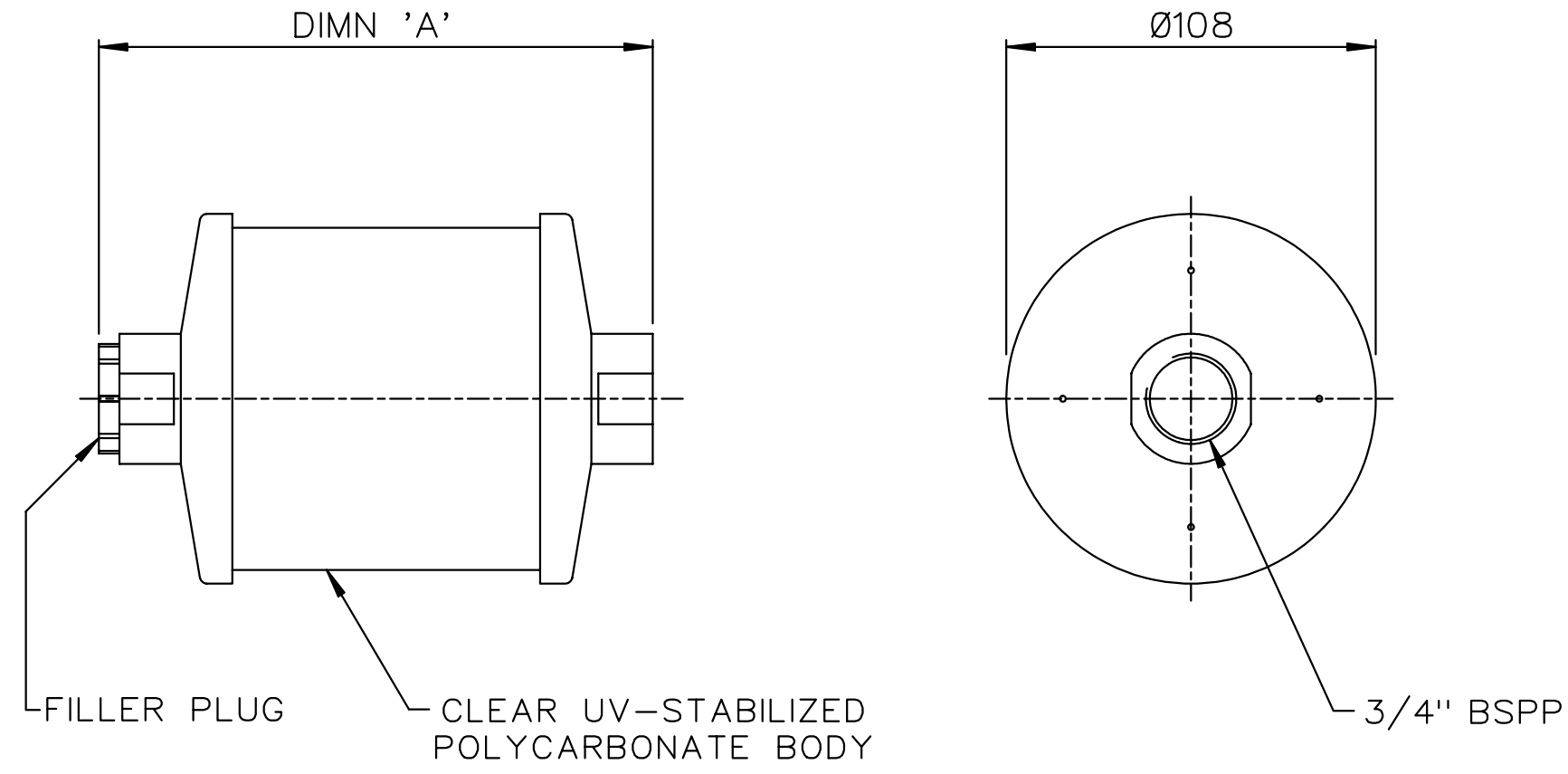
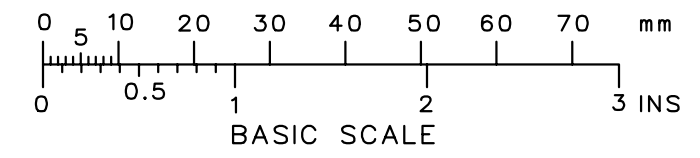
THIS DESIGN IS THE PROPERTY OF BROWNELL LTD
AND MAY NOT BE COPIED OR REPRODUCED
WITHOUT THEIR PRIOR WRITTEN PERMISSION

DRG No
BL/D 7548/01-02 INST
USED ON

THIRD ANGLE PROJECTION

REMOVE ALL BURRS & SHARP EDGES

DO NOT SCALE - ASK



3/4" BSP ADAPTOR PLUG
MATERIAL: POLYACETAL OR NYLON

DRG No	DIMN 'A'
BL/D7548/01	162
BL/D7548/02	264

NOTES

1. FILLED WITH INDICATING BEADED SILICA GEL DESICCANT.
2. DRY AIR OUTLET CLEANLINESS LEVEL: 0.5 MICRONS.
3. DRYER IS SUPPLIED WITH A 3/4" BSPP ADAPTOR PLUG.
4. 2" BSPP ADAPTOR PLUG IS AVAILABLE - PART No: BL/D7696.

TITLE CHANGED - NOTES ADDED	6199	D	7/6/06
2 BSPP ADAPTOR DELETED	5162	C	10/12/97
ALT PLUG MATL ADDED	5114	B	1/9/97
		A	26/3/97
CHANGE	MOD No	ISSUE	DATE

MATERIAL POLYCARBONATE (UNLESS OTHERWISE STATED)	PROTECTIVE FINISH —	TOLERANCES UNLESS STATED ±2	BROWNELL LIMITED LONDON NW10	CUSTOMER REF.	DRAWN LJ	CHECKED
EST. WT. —		DIMNS IN mm /mm	TITLE RESERVOIR VENT DRYER (ULTRA CLEAN RANGE)	DRAWING No BL/D 7548/01-02 INST		
		SCALE (ORIGINAL) 1 : 2				