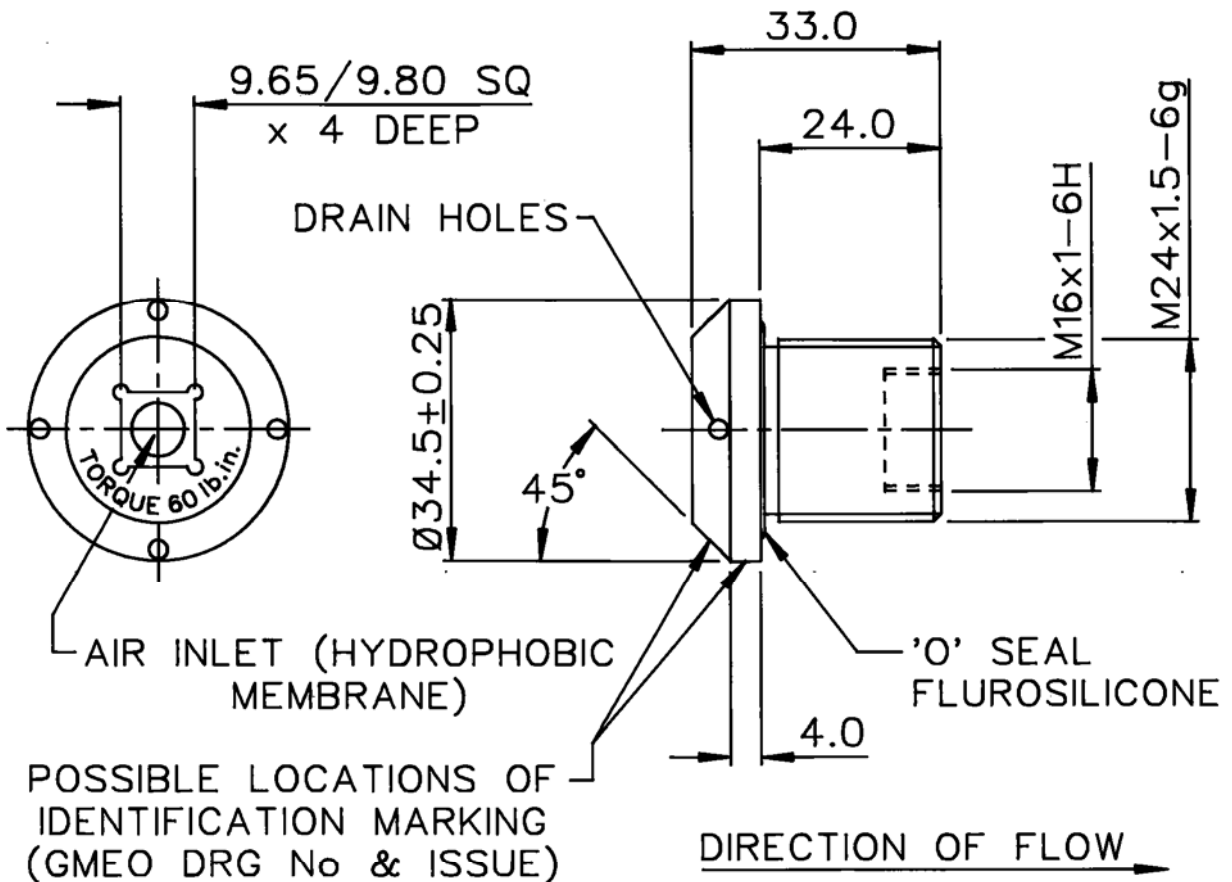


DRG No
BL/D 7725 INST

USED ON

THIRD ANGLE
PROJECTION



POSSIBLE LOCATIONS OF IDENTIFICATION MARKING (GMEO DRG No & ISSUE)

NOTES

1. OPENING PRESSURE: 2.5 – 3.0 PSI.
2. M24x1.5 MOUNTING THREAD IS ALOCHROMED FOR R.F. SCREENING CONTINUITY.
3. INTERNAL VALVE SEAT MATERIAL: EPDM.

MATERIAL ALUM ALLOY PROTECTIVE FINISH ANODISED BLACK SEE NOTE 2		NSN ADDED	6007	E	28/11/02
		IDENT MARKING & NOTE 3 ADDED 'O' SEAL MATL CHANGED	5368	D	14/12/98
		'O' SEAL MATL CHANGED	5300	C	20/8/98
		PROFILE CHANGED/TORQUE DRAIN HOLES & 'O' SEAL MATL ADDED	5259	B	2/6/98
				A	2/2/98
EST. WT. —		CHANGE	MOD No	ISSUE	DATE
DIMNS IN mm	SURFACE ROUGHNESS	TOLERANCES			
SCALE 1 : 1	—	±0.5			
BROWNELL LIMITED LONDON NW10				DRAWN LJ	CHKD
SUB CONT.		SUB CONT. DRG REF.			
TITLE 4820-99-414-7007 R.F. SCREENED PRESSURE RELIEF VALVE (INWARD)		DRAWING No BL/D 7725 INST			

THIS DESIGN IS THE PROPERTY OF BROWNELL LTD AND MAY NOT BE COPIED OR REPRODUCED WITHOUT THEIR PRIOR WRITTEN PERMISSION