

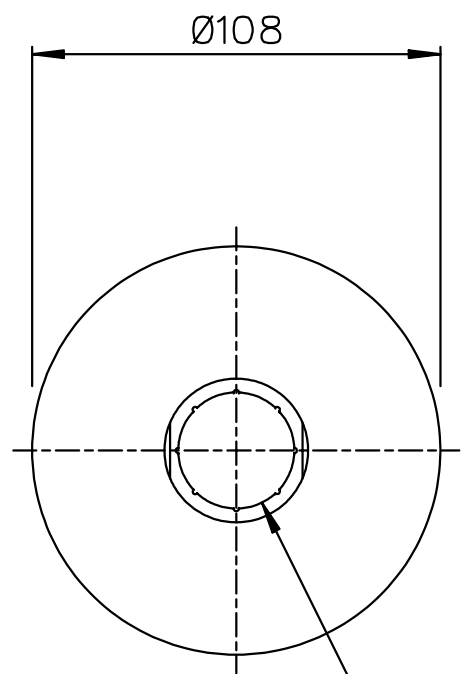
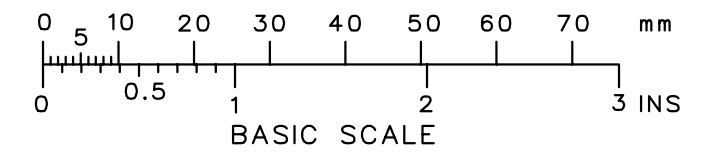
THIS DESIGN IS THE PROPERTY OF BROWNELL LTD
AND MAY NOT BE COPIED OR REPRODUCED
WITHOUT THEIR PRIOR WRITTEN PERMISSION

DRG No
BL/D 7870/01-02 INST
USED ON

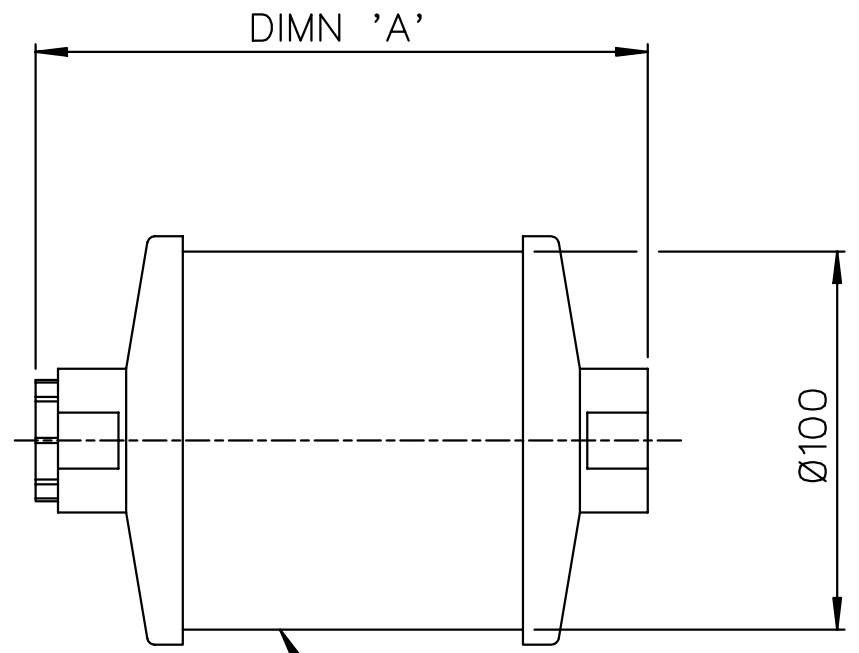
THIRD ANGLE PROJECTION

REMOVE ALL BURRS & SHARP EDGES

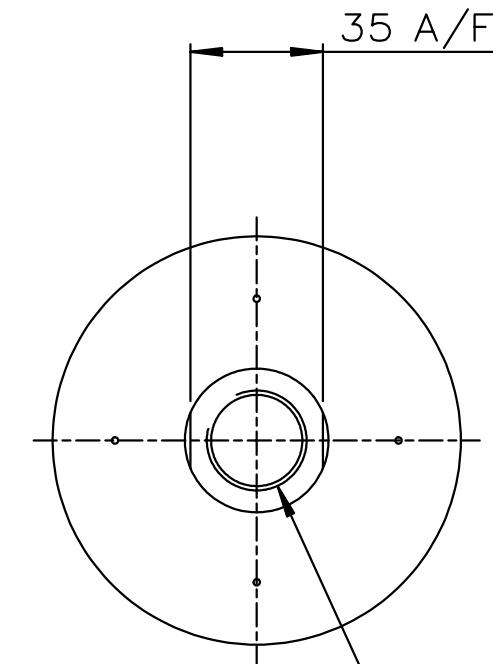
DO NOT SCALE - ASK



FILLER PLUG



CLEAR UV-STABILIZED
POLYCARBONATE BODY



3/4" BSPP
FEMALE CONNECTION

DRG No	DIMN 'A'
BL/D7870/01	162
BL/D7870/02	264

NOTES

- FILLED WITH INDICATING BEADED SILICA GEL DESICCANT.
- DRY AIR OUTLET CLEANLINESS LEVEL: 25 MICRONS.

TITLE CHANGED	6199	3	7/6/06
REDRAWN	6015	2	10/2/03
		1	3/7/98
CHANGE	MOD No	ISSUE	DATE

MATERIAL POLYCARBONATE (UNLESS OTHERWISE STATED)	PROTECTIVE FINISH —	TOLERANCES UNLESS STATED ±2	BROWNELL LIMITED LONDON NW10	CUSTOMER REF.	DRAWN LJ	CHECKED
EST. WT. —		DIMNS IN mm /mm SCALE (ORIGINAL) 1 : 2	TITLE RESERVOIR VENT DRYER (INDUSTRIAL RANGE)	DRAWING No BL/D 7870/01-02 INST		